

**SWETON<sup>®</sup>**

S P E A K E R S

Since 1982



**INSPIRE.  
INNOVATE..  
ENTERTAIN...**

*think*<sup>®</sup>  
**DESI**  
*think*  
**SWETON**

# PREFACE

## Brand's Profile

Welcome to the world of

**SWETON**<sup>®</sup>  
KOLKATA

The horizon where Four decades of experience meet futuristic ideas

Established in the year 1982, SWETON is one of the pioneer brands of India recognized as the market leader in India.

- SWETON symbolizes elegance, style and superior craftsmanship where each and every product is finest in technical superiority and aesthetic sophistication.
- SWETON believes in regular upgradation and development and a dedicated R&D Team works continuously with precision software and equipment.
- SWETON-Among the very few Indian Brands having an in-house wide variety of products of precision transducers for professional sound industries.
- Manufactured at the modern plant in Kolkata, every SWETON Product undergoes rigorous Quality Control test with many state of the art software and equipment to ensure trouble free long life.
- SWETON products are best in quality at an affordable price.

**SWETON**<sup>®</sup>  
S P E A K E R S  
Since 1982

INSPIRE. INNOVATE.. ENTERTAIN...

think<sup>®</sup>  
**DESI**  
think  
**SWETON**

**SWETON<sup>®</sup>**  
S P E A K E R S  
Since 1982





**FULL RANGE**

# SPEAKER 4" FULL RANGE 40 WT

80 W  
Program Power

19.18 mm  
Voice Coil

261-17.5K Hz  
Response

89 dB  
sensitivity



## RECOMMENDED ENCLOSURE SIZE

Panel	Dimensions (mm)			
Front	427	x	273	x 12
Back	427	x	273	x 12
Top	249	x	273	x 12
Bottom	249	x	273	x 12
Left Side	249	x	403	x 12
Right Side	249	x	403	x 12
Optional Cross Brace	249	x	403	x 12

# TECHNICAL SPECIFICATIONS

## Specifications & Parameters

### Specifications

Nominal Diameter	102 mm
Nominal Impedance	8.0 $\Omega$
Nominal Power Handling (AES)	40 W
Program Power (AES)	80 W
Sensitivity (1W/1m)	89 dB
Frequency Range	261-17.5K Hz
Magnet Material	Ferrite
Voice Coil Diameter	19.18 mm
Winding Material	COPPER
Former Material	NOMEX
Winding Type	Outside

### Mounting Info

Overall Diameter	103 mm
Baffle Cutout Diameter	94.5 mm
Depth	54.5 mm
Flange and Gasket Thickness	7.5 mm
Gross Weight	

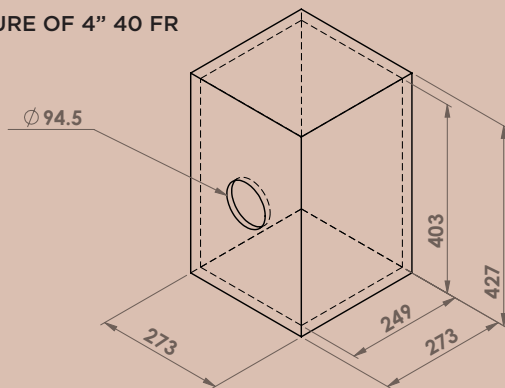
### Parameters

Resonant Frequency	Fs	183 Hz
DC Resistance	Re	5.66 $\Omega$
Electrical Q	Qes	1.7
Mechanical Q	Qms	3.56
Total Q	Qts	1.15
Compliance Equivalent Volume	Vas	1.08 Ltrs
Peak Diaphragm Displacement Volume	Vd	0.009 Ltrs
Effective Surface Area of Cone	Sd	52.81 cm <sup>2</sup>
Reference Efficiency	$\eta_0$	0.38%
Moving Mass including air load	Mms	2.76 gms
Motor Strength	Bl	3.25 T-m
Voice Coil Inductance @ 1 KHz	Le	0.12 mH
Efficiency Bandwith Product	EBP	108 Hz
Voice Coil Overhang	Xmax	$\pm 1.75$ mm

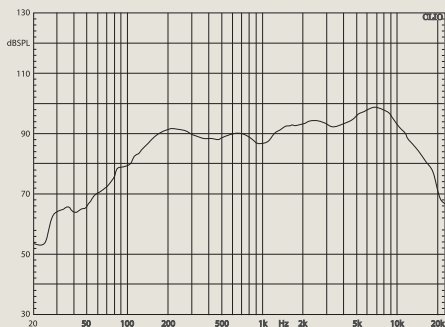
### Recone Kit

Recone Kit Number	REC4INCH40FR
-------------------	--------------

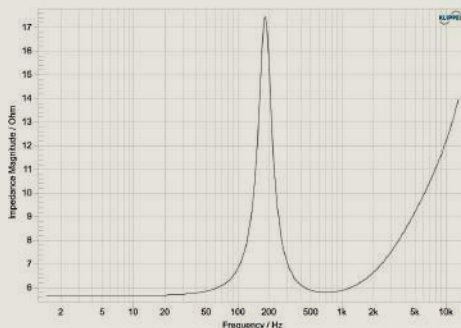
### ENCLOSURE OF 4" 40 FR



### FREQUENCY RESPONSE CURVE



### IMPEDANCE CURVE



# SPEAKER 6" FULL RANGE 40 WT

80 W  
Program Power

25.68 mm  
Voice Coil

77-16.5K Hz  
Response

92 dB  
sensitivity



## RECOMMENDED ENCLOSURE SIZE

Panel	Dimensions (mm)			
Front	514	x	327	x 12
Back	514	x	327	x 12
Top	303	x	327	x 12
Bottom	303	x	327	x 12
Left Side	303	x	490	x 12
Right Side	303	x	490	x 12
Optional Cross Brace	303	x	490	x 12

# TECHNICAL SPECIFICATIONS

## Specifications & Parameters

### Specifications

Nominal Diameter	167.25 mm
Nominal Impedance	8.0 $\Omega$
Nominal Power Handling (AES)	40 W
Program Power (AES)	80 W
Sensitivity (1W/1m)	92 dB
Frequency Range	77-16.5K Hz
Magnet Material	Ferrite
Voice Coil Diameter	25.68 mm
Winding Material	COPPER
Former Material	NOMEX
Winding Type	Outside

### Mounting Info

Overall Diameter	167.25 mm
Baffle Cutout Diameter	147.25 mm
Depth	73 mm
Flange and Gasket Thickness	7.5 mm
Gross Weight	

### Parameters

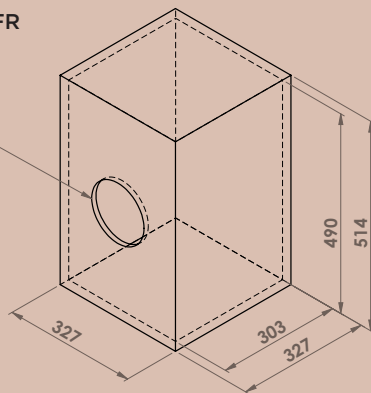
Resonant Frequency	Fs	77 Hz
DC Resistance	Re	6 $\Omega$
Electrical Q	Qes	0.75
Mechanical Q	Qms	8.61
Total Q	Qts	0.69
Compliance Equivalent Volume	Vas	18.20 Ltrs
Peak Diaphragm Displacement Volume	Vd	0.03 Ltrs
Effective Surface Area of Cone	Sd	143 cm <sup>2</sup>
Reference Efficiency	$\eta_0$	1.05%
Moving Mass including air load	Mms	6.77 gms
Motor Strength	Bl	5.10 T-m
Voice Coil Inductance @ 1 KHz	Le	0.36 mH
Efficiency Bandwith Product	EBP	102 Hz
Voice Coil Overhang	Xmax	$\pm 1.69$ mm

### Recone Kit

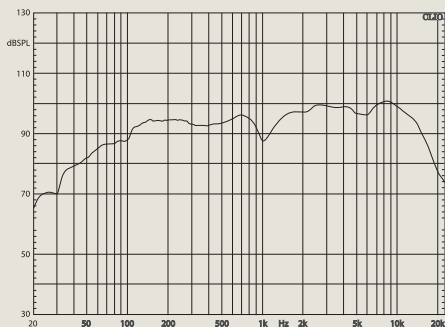
Recone Kit Number	REC6INCH40FR
-------------------	--------------

### ENCLOSURE OF 6" 40 FR

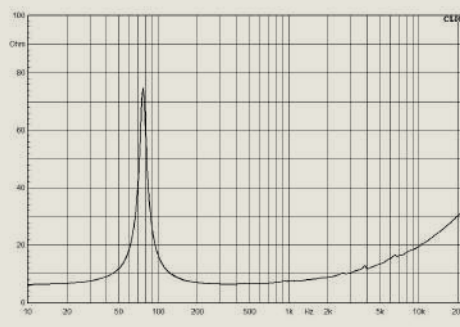
$\phi 148$



### FREQUENCY RESPONSE CURVE



### IMPEDANCE CURVE



# SPEAKER 8"FULL RANGE 40 WT

80 W  
Program Power

25.40 mm  
Voice Coil

90-19K Hz  
Response

93 dB  
sensitivity



## RECOMMENDED ENCLOSURE SIZE

Panel	Dimensions (mm)			
Front	652	x	457	x 12
Back	652	x	457	x 12
Top	349	x	457	x 12
Bottom	349	x	457	x 12
Left Side	349	x	628	x 12
Right Side	349	x	628	x 12
Optional Cross Brace	433	x	628	x 12

# TECHNICAL SPECIFICATIONS

## Specifications & Parameters

### Specifications

Nominal Diameter	217 mm
Nominal Impedance	8.0 $\Omega$
Nominal Power Handling (AES)	40 W
Program Power (AES)	80 W
Sensitivity (1W/1m)	93 dB
Frequency Range	90-19K Hz
Magnet Material	Ferrite
Voice Coil Diameter	25.40 mm
Winding Material	COPPER
Former Material	NOMEX
Winding Type	Outside

### Mounting Info

Overall Diameter	217 mm
Baffle Cutout Diameter	192 mm
Depth	85 mm
Flange and Gasket Thickness	9 mm
Gross Weight	

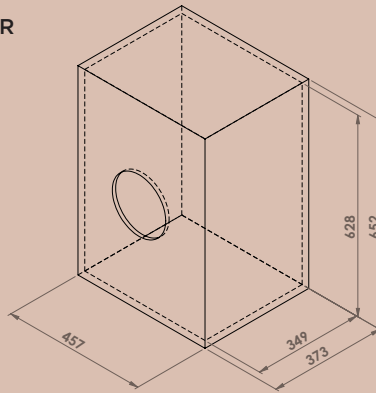
### Parameters

Resonant Frequency	Fs	90 Hz
DC Resistance	Re	7.1 $\Omega$
Electrical Q	Qes	1.41
Mechanical Q	Qms	8.25
Total Q	Qts	1.20
Compliance Equivalent Volume	Vas	26 Ltrs
Peak Diaphragm Displacement Volume	Vd	0.03 Ltrs
Effective Surface Area of Cone	Sd	227 cm <sup>2</sup>
Reference Efficiency	$\eta_0$	1.32%
Moving Mass including air load	Mms	8.54 gms
Motor Strength	Bl	4.95 T-m
Voice Coil Inductance @ 1 KHz	Le	0.29 mH
Efficiency Bandwith Product	EBP	64 Hz
Voice Coil Overhang	Xmax	$\pm 1.51$ mm

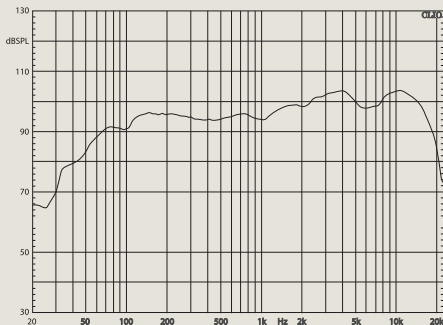
### Recone Kit

Recone Kit Number	REC8INCH40FR
-------------------	--------------

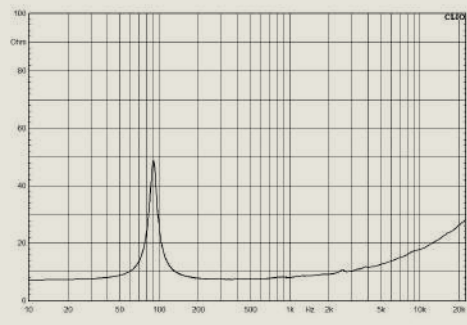
### ENCLOSURE OF 8" 40 FR



### FREQUENCY RESPONSE CURVE



### IMPEDANCE CURVE



think<sup>®</sup>  
**DESI**  
think  
**SWETON**

**SWETON**<sup>®</sup>  
S P E A K E R S  
Since 1982





**SPEAKER**

# SPEAKER 4" 6 WT - AMPLI

12 W  
Program Power

14.46 mm  
Voice Coil

262-20K Hz  
Response

91 dB  
sensitivity



# TECHNICAL SPECIFICATIONS

## Specifications & Parameters

### Specifications

Nominal Diameter	110.5 mm
Nominal Impedance	4 $\Omega$
Nominal Power Handling (AES)	6 W
Program Power	12 W
Sensitivity (1W/1m)	91 dB
Frequency Range	262-20K Hz
Magnet Material	Ferrite
Voice Coil Diameter	14.46 mm
Winding Material	COPPER
Former Material	SV COATED KRAFT
Winding Type	Outside

### Mounting Info

Overall Diameter	110.5 mm
Baffle Cutout Diameter	97 mm
Depth	42 mm
Flange and Gasket Thickness	4 mm
Gross Weight	

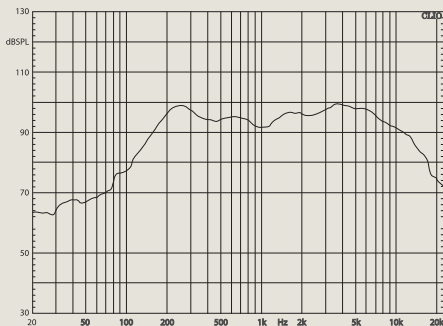
### Parameters

Resonant Frequency	Fs	262 Hz
DC Resistance	Re	3.5 $\Omega$
Electrical Q	Qes	2.75
Mechanical Q	Qms	7.53
Total Q	Qts	2.01
Compliance Equivalent Volume	Vas	1.24 Ltrs
Peak Diaphragm Displacement Volume	Vd	0.01 Ltrs
Effective Surface Area of Cone	Sd	63.63 cm <sup>2</sup>
Reference Efficiency	$\eta_0$	0.77%
Moving Mass including air load	Mms	1.69 gms
Motor Strength	Bl	1.88 T-m
Voice Coil Inductance @ 1 KHz	Le	0.09 mH
Efficiency Bandwith Product	EBP	95 Hz
Voice Coil Overhang	Xmax	$\pm 1.50$ mm

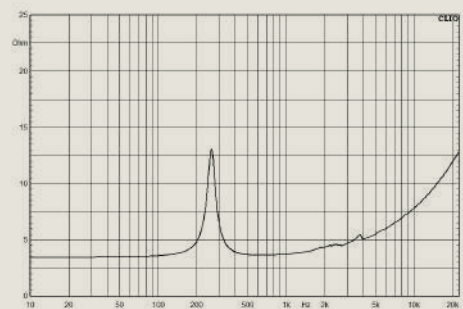
### Recone Kit

Recone Kit Number	REC4INCHAMP
-------------------	-------------

### FREQUENCY RESPONSE CURVE



### IMPEDANCE CURVE



# SPEAKER 4" 6 WT - TAPE

12 W  
Program Power

14.46 mm  
Voice Coil

219-18K Hz  
Response

91 dB  
sensitivity



# TECHNICAL SPECIFICATIONS

## Specifications & Parameters

### Specifications

Nominal Diameter	103 mm
Nominal Impedance	4 $\Omega$
Nominal Power Handling (AES)	6 W
Program Power	12 W
Sensitivity (1W/1m)	91 dB
Frequency Range	219-18K Hz
Magnet Material	Ferrite
Voice Coil Diameter	14.46 mm
Winding Material	COPPER
Former Material	SV COATED KRAFT
Winding Type	Outside

### Mounting Info

Overall Diameter	103 mm
Baffle Cutout Diameter	95 mm
Depth	40 mm
Flange and Gasket Thickness	4 mm
Gross Weight	

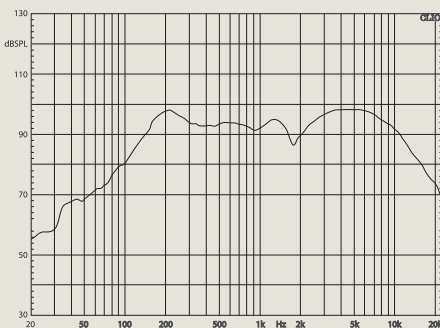
### Parameters

Resonant Frequency	Fs	219 Hz
DC Resistance	Re	3.7 $\Omega$
Electrical Q	Qes	2.24
Mechanical Q	Qms	18.22
Total Q	Qts	1.99
Compliance Equivalent Volume	Vas	1.78 Ltrs
Peak Diaphragm Displacement Volume	Vd	0.09 Ltrs
Effective Surface Area of Cone	Sd	59.45 cm <sup>2</sup>
Reference Efficiency	$\eta_0$	0.81%
Moving Mass including air load	Mms	1.46 gms
Motor Strength	Bl	1.82 T-m
Voice Coil Inductance @ 1 KHz	Le	0.08 mH
Efficiency Bandwith Product	EBP	98 Hz
Voice Coil Overhang	Xmax	$\pm 1.43$ mm

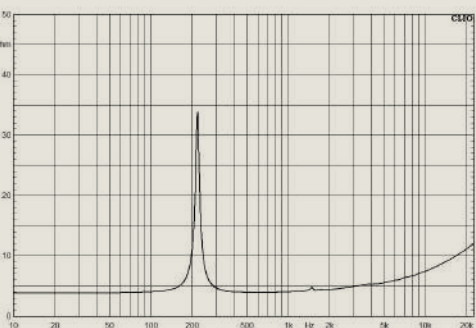
### Recone Kit

Recone Kit Number	REC4INCHR
-------------------	-----------

### FREQUENCY RESPONSE CURVE



### IMPEDANCE CURVE



# SPEAKER 6" 6 WT

12 W  
Program Power

19.1 mm  
Voice Coil

153-9.2K Hz  
Response

91 dB  
sensitivity



## RECOMMENDED ENCLOSURE SIZE

Panel	Dimensions (mm)			
Front	480	x	305	x 12
Back	480	x	305	x 12
Top	281	x	305	x 12
Bottom	281	x	305	x 12
Left Side	281	x	456	x 12
Right Side	281	x	456	x 12
Optional Cross Brace	281	x	456	x 12

# TECHNICAL SPECIFICATIONS

## Specifications & Parameters

### Specifications

Nominal Diameter	167 mm
Nominal Impedance	4.0 $\Omega$
Nominal Power Handling (AES)	6 W
Continous Power Handling (AES)	12 W
Sensitivity (1W/1m)	91 dB
Frequency Range	153-9.2K Hz
Magnet Material	Ferrite
Voice Coil Diameter	19.10 mm
Winding Material	COPPER
Former Material	SV COATED KRAFT
Winding Type	Outside

### Mounting Info

Overall Diameter	167 mm
Baffle Cutout Diameter	148 mm
Depth	59 mm
Flange and Gasket Thickness	7 mm
Gross Weight	

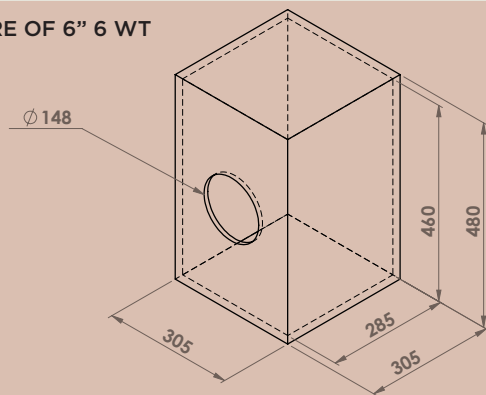
### Parameters

Resonant Frequency	Fs	153 Hz
DC Resistance	Re	3.8 $\Omega$
Electrical Q	Qes	3.34
Mechanical Q	Qms	6.49
Total Q	Qts	2.2
Compliance Equivalent Volume	Vas	6.86 Ltrs
Peak Diaphragm Displacement Volume	Vd	0.02 Ltrs
Effective Surface Area of Cone	Sd	136 cm <sup>2</sup>
Reference Efficiency	$\eta_0$	0.71%
Moving Mass including air load	Mms	4.11 gms
Motor Strength	Bl	2.12 T-m
Voice Coil Inductance @ 1 KHz	Le	0.22 mH
Efficiency Bandwith Product	EBP	46 Hz
Voice Coil Overhang	Xmax	$\pm 1.65$ mm

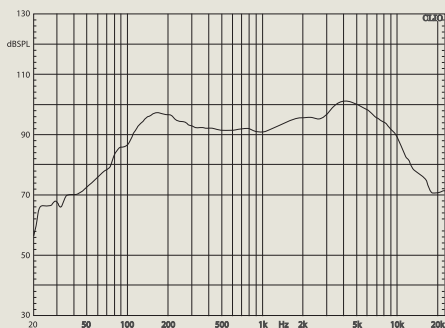
### Recone Kit

Recone Kit Number	REC6INCH6W
-------------------	------------

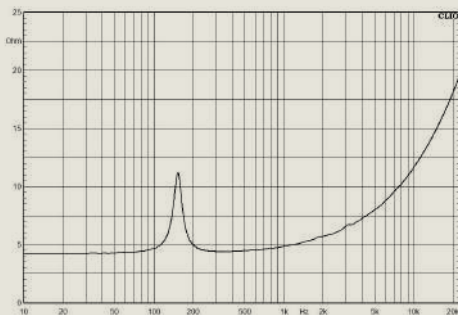
### ENCLOSURE OF 6" 6 WT



### FREQUENCY RESPONSE CURVE



### IMPEDANCE CURVE



# SPEAKER 6" 8 WT

16 W  
Program Power

19.1 mm  
Voice Coil

156-9.3K Hz  
Response

91 dB  
sensitivity



## RECOMMENDED ENCLOSURE SIZE

Panel	Dimensions (mm)			
Front	514	x	327	x 12
Back	514	x	327	x 12
Top	303	x	327	x 12
Bottom	303	x	327	x 12
Left Side	303	x	490	x 12
Right Side	303	x	490	x 12
Optional Cross Brace	303	x	490	x 12

# TECHNICAL SPECIFICATIONS

## Specifications & Parameters

### Specifications

Nominal Diameter	167 mm
Nominal Impedance	4.0 $\Omega$
Nominal Power Handling (AES)	8 W
Continuous Power Handling (AES)	16 W
Sensitivity (1W/1m)	91 dB
Frequency Range	156-9.3K Hz
Magnet Material	Ferrite
Voice Coil Diameter	19.10 mm
Winding Material	COPPER
Former Material	SV COATED KRAFT
Winding Type	Outside

### Mounting Info

Overall Diameter	167 mm
Baffle Cutout Diameter	148 mm
Depth	61 mm
Flange and Gasket Thickness	7 mm
Gross Weight	

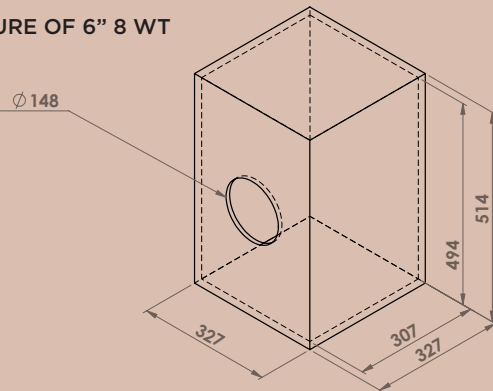
### Parameters

Resonant Frequency	Fs	156 Hz
DC Resistance	Re	3.8 $\Omega$
Electrical Q	Qes	3.15
Mechanical Q	Qms	4.92
Total Q	Qts	1.92
Compliance Equivalent Volume	Vas	6.56 Ltrs
Peak Diaphragm Displacement Volume	Vd	0.02 Ltrs
Effective Surface Area of Cone	Sd	136 cm <sup>2</sup>
Reference Efficiency	$\eta_0$	0.77%
Moving Mass including air load	Mms	4.11 gms
Motor Strength	Bl	2.12 T-m
Voice Coil Inductance @ 1 KHz	Le	0.18 mH
Efficiency Bandwith Product	EBP	50 Hz
Voice Coil Overhang	Xmax	$\pm 1.65$ mm

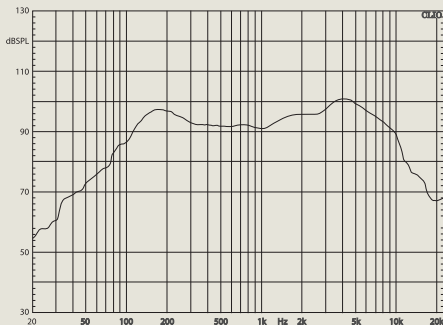
### Recone Kit

Recone Kit Number	REC6INCH8W
-------------------	------------

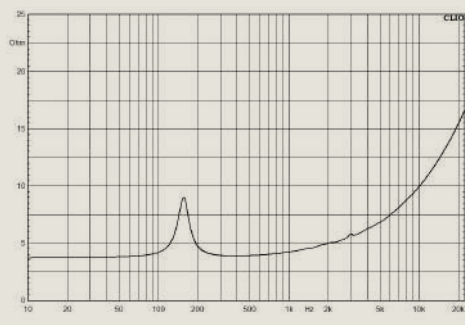
### ENCLOSURE OF 6" 8 WT



### FREQUENCY RESPONSE CURVE



### IMPEDANCE CURVE



# SPEAKER 6" 10 WT

20 W  
Program Power

19.1 mm  
Voice Coil

143-12K Hz  
Response

92 dB  
sensitivity



## RECOMMENDED ENCLOSURE SIZE

Panel	Dimensions (mm)			
Front	451	x	289	x 12
Back	451	x	289	x 12
Top	265	x	289	x 12
Bottom	265	x	289	x 12
Left Side	265	x	427	x 12
Right Side	265	x	427	x 12
Optional Cross Brace	265	x	427	x 12

# TECHNICAL SPECIFICATIONS

## Specifications & Parameters

### Specifications

Nominal Diameter	167 mm
Nominal Impedance	4.0 $\Omega$
Nominal Power Handling (AES)	10 W
Continuous Power Handling (AES)	20 W
Sensitivity (1W/1m)	92 dB
Frequency Range	143-12K Hz
Magnet Material	Ferrite
Voice Coil Diameter	19.1 mm
Winding Material	COPPER
Former Material	S V coated Kraft
Winding Type	Outside

### Mounting Info

Overall Diameter	167 mm
Baffle Cutout Diameter	146 mm
Depth	64.5 mm
Flange and Gasket Thickness	7.5 mm
Gross Weight	

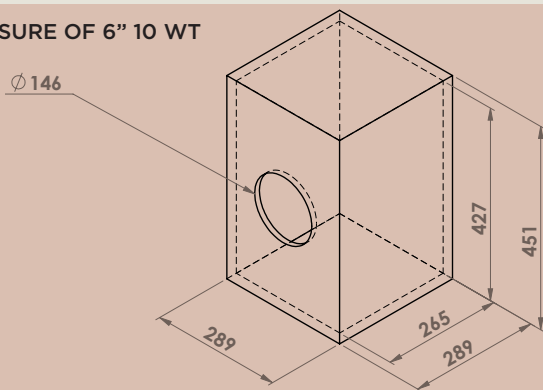
### Parameters

Resonant Frequency	Fs	143 Hz
DC Resistance	Re	3.2 $\Omega$
Electrical Q	Qes	2.5
Mechanical Q	Qms	7.27
Total Q	Qts	1.86
Compliance Equivalent Volume	Vas	7.92 Ltrs
Peak Diaphragm Displacement Volume	Vd	0.02 Ltrs
Effective Surface Area of Cone	Sd	136 cm <sup>2</sup>
Reference Efficiency	$\eta_0$	0.88%
Moving Mass including air load	Mms	4.11 gms
Motor Strength	Bl	2.17 T-m
Voice Coil Inductance @ 1 KHz	Le	0.12 mH
Efficiency Bandwith Product	EBP	57 Hz
Voice Coil Overhang	Xmax	$\pm 1.63$ mm

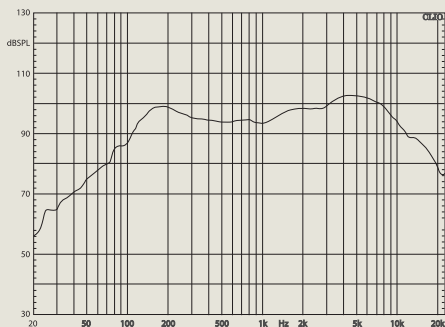
### Recone Kit

Recone Kit Number	REC6INCH10W
-------------------	-------------

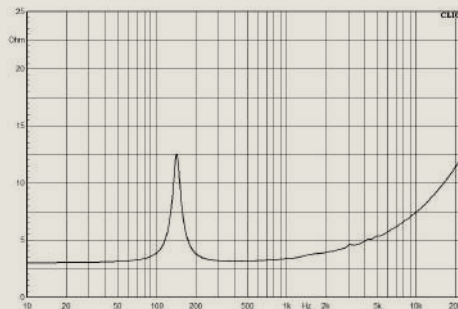
### ENCLOSURE OF 6" 10 WT



### FREQUENCY RESPONSE CURVE



### IMPEDANCE CURVE



think<sup>®</sup>  
**DESI**  
think  
**SWETON**

**SWETON<sup>®</sup>**  
S P E A K E R S  
Since 1982





**SUBWOOFER**

# SUBWOOFER 3" 20 WT PMPO

10 W  
Program Power

13.5 mm  
Voice Coil

209-20K Hz  
Response

82 dB  
sensitivity



# TECHNICAL SPECIFICATIONS

## Specifications & Parameters

### Specifications

Nominal Diameter	82 mm
Nominal Impedance	4 $\Omega$
Nominal Power Handling (AES)	5 W
Program Power (AES)	20 W
Sensitivity (1W/1m)	82 dB
Frequency Range	209-20K Hz
Magnet Material	Ferrite
Voice Coil Diameter	13.5 mm
Winding Material	COPPER
Former Material	NOMEX
Winding Type	Outside

### Mounting Info

Overall Diameter	82 mm
Baffle Cutout Diameter	77 mm
Depth	36 mm
Flange and Gasket Thickness	5 mm
Gross Weight	

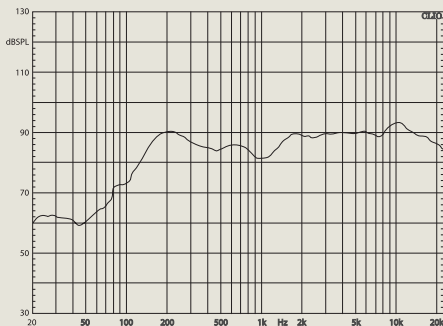
### Parameters

Resonant Frequency	Fs	209 Hz
DC Resistance	Re	3.5 $\Omega$
Electrical Q	Qes	6.65
Mechanical Q	Qms	7.83
Total Q	Qts	3.59
Compliance Equivalent Volume	Vas	0.68 Ltrs
Peak Diaphragm Displacement Volume	Vd	0.002 Ltrs
Effective Surface Area of Cone	Sd	33.18 cm <sup>2</sup>
Reference Efficiency	$\eta_0$	0.09%
Moving Mass including air load	Mms	1.31 gms
Motor Strength	Bl	0.95 T-m
Voice Coil Inductance @ 1 KHz	Le	0.06 mH
Efficiency Bandwith Product	EBP	31 Hz
Voice Coil Overhang	Xmax	$\pm 0.75$ mm

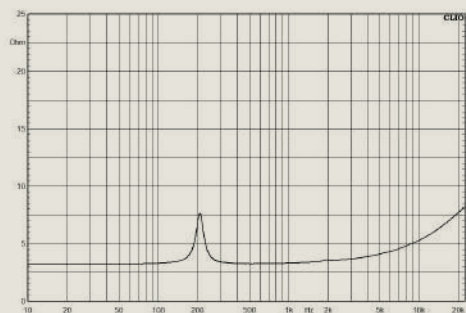
### Recone Kit

Recone Kit Number	SUB320
-------------------	--------

### FREQUENCY RESPONSE CURVE



### IMPEDANCE CURVE



# SUBWOOFER 4" 60 WT PMPO

30 W  
Program Power

25.40 mm  
Voice Coil

106- 3K Hz  
Response

78 dB  
sensitivity



## RECOMMENDED ENCLOSURE SIZE

Panel	Dimensions (mm)			
Front	289	x	289	x 12
Back	289	x	289	x 12
Top	428	x	289	x 12
Bottom	428	x	289	x 12
Left Side	428	x	265	x 12
Right Side	428	x	265	x 12
Optional Cross Brace	265	x	265	x 12

# TECHNICAL SPECIFICATIONS

## Specifications & Parameters

### Specifications

Nominal Diameter	106 mm
Nominal Impedance	4.0 $\Omega$
Nominal Power Handling (AES)	15 W
Program Power (AES)	60 W
Sensitivity (1W/1m)	78 dB
Frequency Range	106-3K Hz
Magnet Material	Ferrite
Voice Coil Diameter	25.40 mm
Winding Material	COPPER
Former Material	SV COATED KRAFT
Winding Type	Outside

### Mounting Info

Overall Diameter	106 mm
Baffle Cutout Diameter	95 mm
Depth	56.5 mm
Flange and Gasket Thickness	6 mm
Gross Weight	

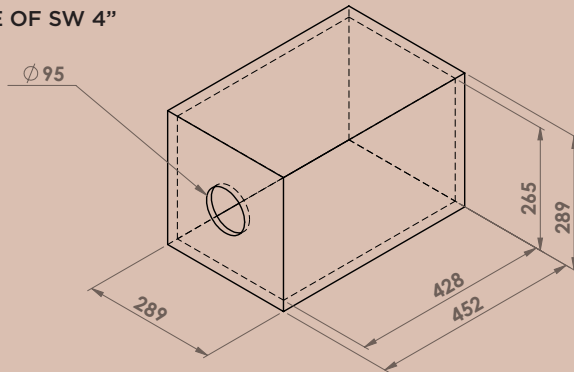
### Parameters

Resonant Frequency	Fs	106 Hz
DC Resistance	Re	3.4 $\Omega$
Electrical Q	Qes	2.89
Mechanical Q	Qms	4.94
Total Q	Qts	1.83
Compliance Equivalent Volume	Vas	1.12 Ltrs
Peak Diaphragm Displacement Volume	Vd	0.02 Ltrs
Effective Surface Area of Cone	Sd	56.75 cm <sup>2</sup>
Reference Efficiency	$\eta_0$	0.04%
Moving Mass including air load	Mms	9.04 gms
Motor Strength	Bl	2.66 T-m
Voice Coil Inductance @ 1 KHz	Le	0.57 mH
Efficiency Bandwith Product	EBP	36 Hz
Voice Coil Overhang	Xmax	$\pm 4.19$ mm

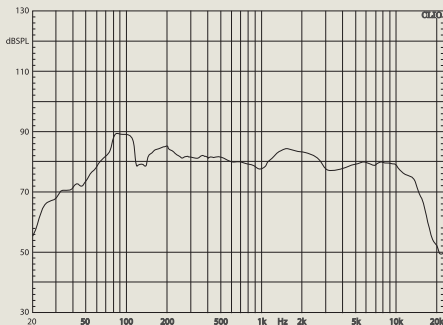
### Recone Kit

Recone Kit Number	REC4INCHSUB
-------------------	-------------

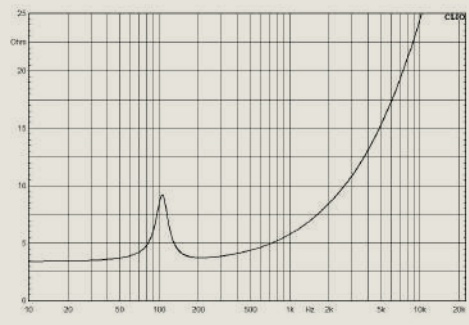
### ENCLOSURE OF SW 4"



### FREQUENCY RESPONSE CURVE



### IMPEDANCE CURVE



# SUBWOOFER 5" 100 WT PMPO

50 W  
Program Power

25.40 mm  
Voice Coil

79-7K Hz  
Response

81 dB  
sensitivity



## RECOMMENDED ENCLOSURE SIZE

Panel	Dimensions (mm)			
Front	475	x	303	x 12
Back	475	x	303	x 12
Top	279	x	303	x 12
Bottom	279	x	303	x 12
Left Side	279	x	451	x 12
Right Side	279	x	451	x 12
Optional Cross Brace	279	x	451	x 12

# TECHNICAL SPECIFICATIONS

## Specifications & Parameters

### Specifications

Nominal Diameter	135 mm
Nominal Impedance	4.0 $\Omega$
Nominal Power Handling (AES)	25 W
Program Power (AES)	100 W
Sensitivity (1W/1m)	81 dB
Frequency Range	79-7K Hz
Magnet Material	Ferrite
Voice Coil Diameter	25.40 mm
Winding Material	COPPER
Former Material	SV COATED KRAFT
Winding Type	Outside

### Mounting Info

Overall Diameter	135 mm
Baffle Cutout Diameter	125 mm
Depth	63.5 mm
Flange and Gasket Thickness	8 mm
Gross Weight	

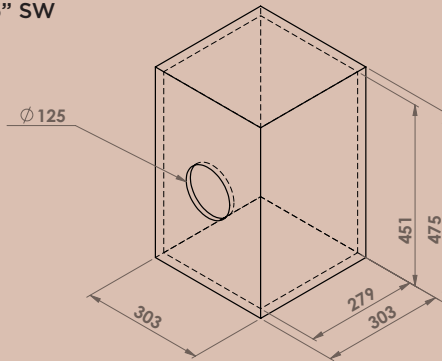
### Parameters

Resonant Frequency	Fs	79 Hz
DC Resistance	Re	3.1 $\Omega$
Electrical Q	Qes	2.41
Mechanical Q	Qms	14.75
Total Q	Qts	2.07
Compliance Equivalent Volume	Vas	4.08 Ltrs
Peak Diaphragm Displacement Volume	Vd	0.06 Ltrs
Effective Surface Area of Cone	Sd	95 cm <sup>2</sup>
Reference Efficiency	$\eta_0$	0.08%
Moving Mass including air load	Mms	12.52 gms
Motor Strength	Bl	2.83 T-m
Voice Coil Inductance @ 1 KHz	Le	0.66 mH
Efficiency Bandwith Product	EBP	33 Hz
Voice Coil Overhang	Xmax	$\pm 6.18$ mm

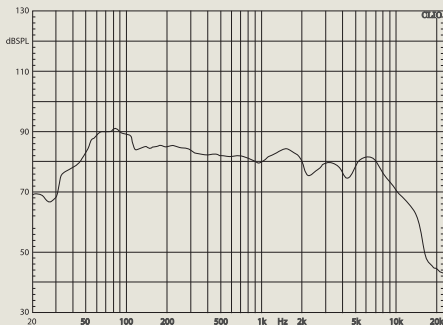
### Recone Kit

Recone Kit Number	REC5INCHSUB
-------------------	-------------

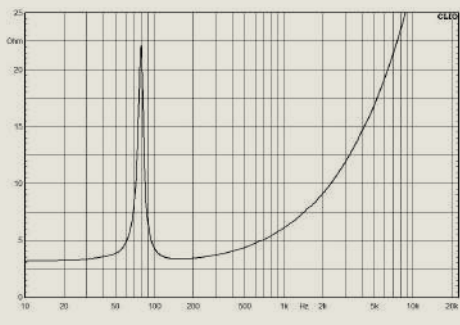
### ENCLOSURE OF 5" SW



### FREQUENCY RESPONSE CURVE



### IMPEDANCE CURVE



# SUBWOOFER 6" 120 WT PMPO

60 W  
Program Power

25.50 mm  
Voice Coil

76-7.7K Hz  
Response

84 dB  
sensitivity



## RECOMMENDED ENCLOSURE SIZE

Panel	Dimensions (mm)			
Front	397	x	340	x 12
Back	397	x	340	x 12
Top	433	x	340	x 12
Bottom	433	x	340	x 12
Left Side	433	x	373	x 12
Right Side	433	x	373	x 12
Optional Cross Brace	316	x	373	x 12

# TECHNICAL SPECIFICATIONS

## Specifications & Parameters

### Specifications

Nominal Diameter	170 mm
Nominal Impedance	4.0 $\Omega$
Nominal Power Handling (AES)	30 W
Program Power (AES)	120 W
Sensitivity (1W/1m)	84 dB
Frequency Range	76-7.7K Hz
Magnet Material	Ferrite
Voice Coil Diameter	25.50 mm
Winding Material	COPPER
Former Material	KAPTON
Winding Type	Outside

### Mounting Info

Overall Diameter	170 mm
Baffle Cutout Diameter	146 mm
Depth	87 mm
Flange and Gasket Thickness	11 mm
Gross Weight	

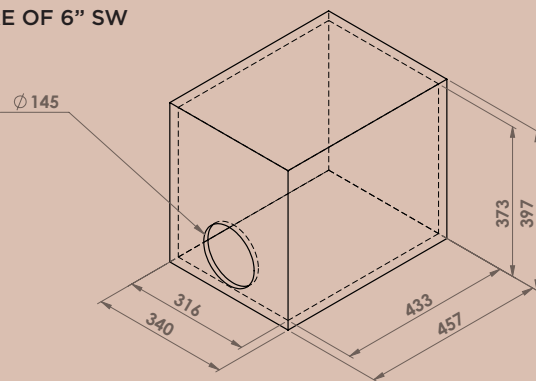
### Parameters

Resonant Frequency	Fs	76 Hz
DC Resistance	Re	3.2 $\Omega$
Electrical Q	Qes	1.69
Mechanical Q	Qms	11.02
Total Q	Qts	1.46
Compliance Equivalent Volume	Vas	5.53 Ltrs
Peak Diaphragm Displacement Volume	Vd	0.08 Ltrs
Effective Surface Area of Cone	Sd	143 cm <sup>2</sup>
Reference Efficiency	$\eta_0$	0.14%
Moving Mass including air load	Mms	22.77 gms
Motor Strength	Bl	4.54 T-m
Voice Coil Inductance @ 1 KHz	Le	0.44 mH
Efficiency Bandwith Product	EBP	45 Hz
Voice Coil Overhang	Xmax	$\pm 5.88$ mm

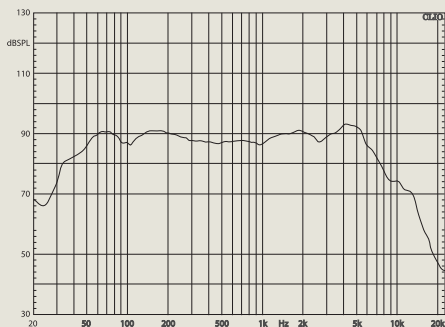
### Recone Kit

Recone Kit Number	REC6INCHSUB
-------------------	-------------

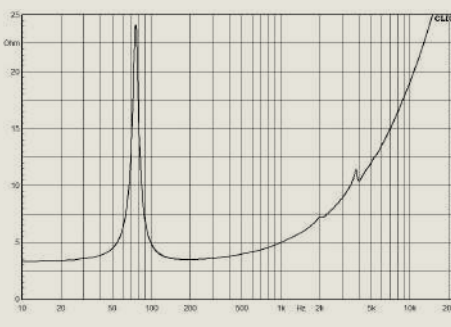
### ENCLOSURE OF 6" SW



### FREQUENCY RESPONSE CURVE



### IMPEDANCE CURVE



# SUBWOOFER 8" 200 WT PMPO

100 W  
Program Power

35 mm  
Voice Coil

62-4.6K Hz  
Response

88 dB  
sensitivity



## RECOMMENDED ENCLOSURE SIZE

Panel	Dimensions (mm)			
Front	445	x	381	x 12
Back	445	x	381	x 12
Top	433	x	381	x 12
Bottom	433	x	381	x 12
Left Side	433	x	421	x 12
Right Side	433	x	421	x 12
Optional Cross Brace	357	x	421	x 12

# TECHNICAL SPECIFICATIONS

## Specifications & Parameters

### Specifications

Nominal Diameter	210 mm
Nominal Impedance	4.0 $\Omega$
Nominal Power Handling (AES)	50 W
Program Power (AES)	200 W
Sensitivity (1W/1m)	88 dB
Frequency Range	62-4.6K Hz
Magnet Material	Ferrite
Voice Coil Diameter	35 mm
Winding Material	COPPER
Former Material	KAPTON
Winding Type	Outside

### Mounting Info

Overall Diameter	210 mm
Baffle Cutout Diameter	180 mm
Depth	100 mm
Flange and Gasket Thickness	12 mm
Gross Weight	

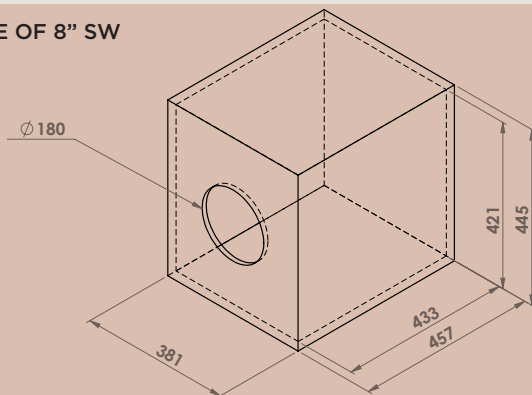
### Parameters

Resonant Frequency	Fs	62 Hz
DC Resistance	Re	3.5 $\Omega$
Electrical Q	Qes	0.99
Mechanical Q	Qms	12.58
Total Q	Qts	0.91
Compliance Equivalent Volume	Vas	17.67 Ltrs
Peak Diaphragm Displacement Volume	Vd	0.12 Ltrs
Effective Surface Area of Cone	Sd	227 cm <sup>2</sup>
Reference Efficiency	$\eta_0$	0.42%
Moving Mass including air load	Mms	26.54 gms
Motor Strength	Bl	6.07 T-m
Voice Coil Inductance @ 1 KHz	Le	0.57 mH
Efficiency Bandwith Product	EBP	63 Hz
Voice Coil Overhang	Xmax	$\pm 5.31$ mm

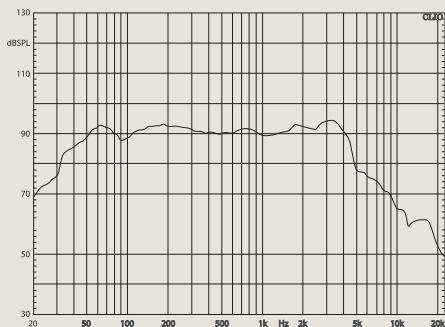
### Recone Kit

Recone Kit Number	REC8INCHSUB
-------------------	-------------

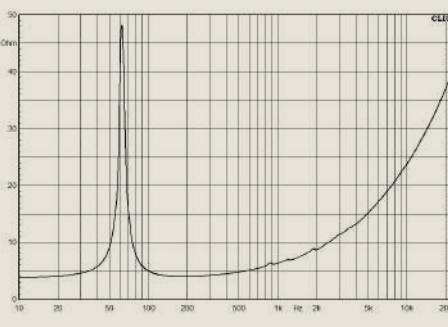
### ENCLOSURE OF 8" SW



### FREQUENCY RESPONSE CURVE



### IMPEDANCE CURVE



# SUBWOOFER 10" 320 WT PMPO

160 W  
Program Power

44 mm  
Voice Coil

45-4K Hz  
Response

85 dB  
sensitivity



## RECOMMENDED ENCLOSURE SIZE

Panel	Dimensions (mm)			
Front	577	x	369	x 16
Back	577	x	369	x 16
Top	336	x	369	x 16
Bottom	336	x	369	x 16
Left Side	336	x	545	x 16
Right Side	336	x	545	x 16
Optional Cross Brace	337	x	545	x 16

# TECHNICAL SPECIFICATIONS

## Specifications & Parameters

### Specifications

Nominal Diameter	255 mm
Nominal Impedance	4.0 $\Omega$
Nominal Power Handling (AES)	80 W
PMPO	320 W
Sensitivity (1W/1m)	85 dB
Frequency Range	45-4K Hz
Magnet Material	Ferrite
Voice Coil Diameter	44 mm
Winding Material	COPPER
Former Material	KAPTON
Winding Type	Outside

### Mounting Info

Overall Diameter	255 mm
Baffle Cutout Diameter	228 mm
Depth	106 mm
Flange and Gasket Thickness	18 mm
Gross Weight	3.08 Kgs

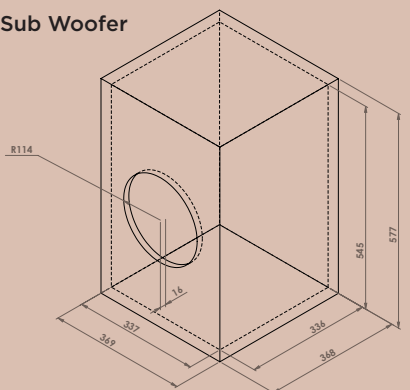
### Parameters

Resonant Frequency	Fs	45 Hz
DC Resistance	Re	3.5 $\Omega$
Electrical Q	Qes	1.43
Mechanical Q	Qms	9.27
Total Q	Qts	1.24
Compliance Equivalent Volume	Vas	33.40 Ltrs
Peak Diaphragm Displacement Volume	Vd	1.73 Ltrs
Effective Surface Area of Cone	Sd	346 cm <sup>2</sup>
Reference Efficiency	$\eta_0$	0.20%
Moving Mass including air load	Mms	63.95 gms
Motor Strength	Bl	6.61 T-m
Voice Coil Inductance @ 1 KHz	Le	0.66 mH
Efficiency Bandwith Product	EBP	31 Hz
Voice Coil Overhang	Xmax	5.0 $\pm$ mm

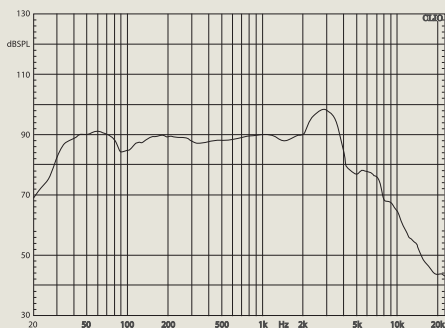
### Recone Kit

Recone Kit Number	RECSUBI0320
-------------------	-------------

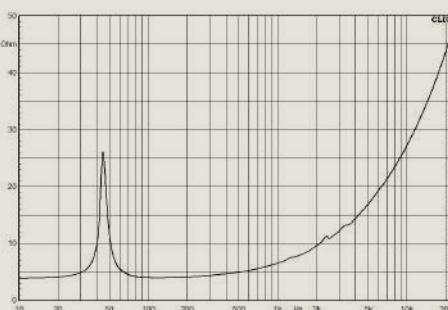
### ENCLOSURE of 10" Sub Woofer



### FREQUENCY RESPONSE CURVE



### IMPEDANCE CURVE



# SUBWOOFER 12" - 2000 WT PMPO

2000 W PMPO  
Program Power

49 mm  
Voice Coil

38-2.5K Hz  
Response

86 dB  
sensitivity



## RECOMMENDED ENCLOSURE SIZE

Panel	Dimensions (mm)			
Front	456	x	456	x 16
Back	456	x	456	x 16
Top	454	x	456	x 16
Bottom	454	x	456	x 16
Left Side	454	x	424	x 16
Right Side	454	x	424	x 16
Optional Cross Brace	424	x	424	x 16

# TECHNICAL SPECIFICATIONS

## Specifications & Parameters

### Specifications

Nominal Diameter	320 mm
Nominal Impedance	4.0 $\Omega$
Nominal Power Handling (AES)	500 W
PMPO	2000 W
Sensitivity (1W/1m)	86 dB
Frequency Range	38-2.5K Hz
Magnet Material	Ferrite
Voice Coil Diameter	49 mm
Winding Material	COPPER
Former Material	KAPTON
Winding Type	Outside

### Mounting Info

Overall Diameter	320 mm
Baffle Cutout Diameter	282 mm
Depth	144 mm
Flange and Gasket Thickness	18 mm
Gross Weight	8.34 Kgs

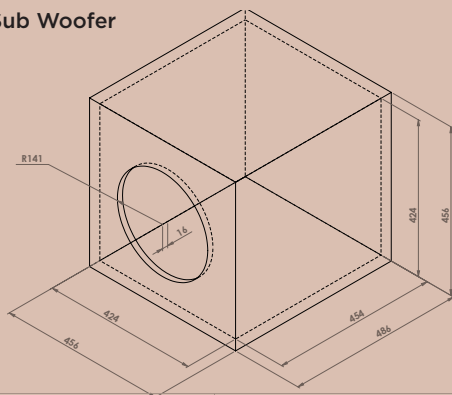
### Parameters

Resonant Frequency	Fs	38 Hz
DC Resistance	Re	3.5 $\Omega$
Electrical Q	Qes	1.17
Mechanical Q	Qms	10.42
Total Q	Qts	1.05
Compliance Equivalent Volume	Vas	53.35 Ltrs
Peak Diaphragm Displacement Volume	Vd	0.53 Ltrs
Effective Surface Area of Cone	Sd	506.7 cm <sup>2</sup>
Reference Efficiency	$\eta_0$	0.24%
Moving Mass including air load	Mms	117.49 gms
Motor Strength	Bl	9.18 T-m
Voice Coil Inductance @ 1 KHz	Le	1.02 mH
Efficiency Bandwith Product	EBP	32 Hz
Voice Coil Overhang	Xmax	10.5 $\pm$ mm

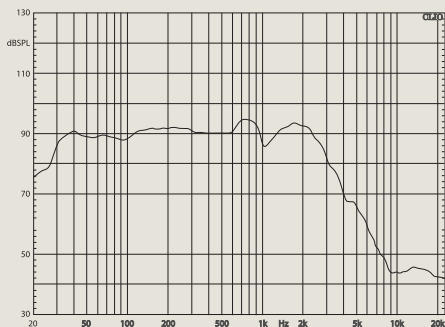
### Recone Kit

Recone Kit Number	RECSUB122000
-------------------	--------------

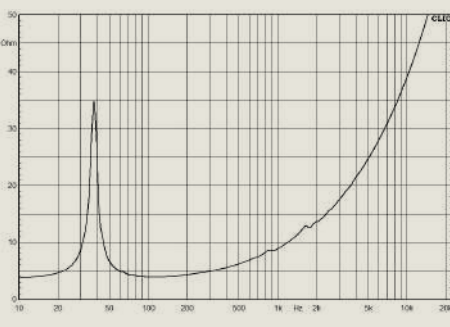
### ENCLOSURE of 12" Sub Woofer



### FREQUENCY RESPONSE CURVE



### IMPEDANCE CURVE



think<sup>®</sup>  
**DESI**  
think  
**SWETON**

**SWETON<sup>®</sup>**  
S P E A K E R S  
Since 1982





**WOOFER**

# WOOFER 4" 20 WT

40 W  
Program Power

19.1 mm  
Voice Coil

231-13K Hz  
Response

86 dB  
sensitivity



## RECOMMENDED ENCLOSURE SIZE

Panel	Dimensions (mm)			
Front	451	x	289	x 12
Back	451	x	289	x 12
Top	265	x	289	x 12
Bottom	265	x	289	x 12
Left Side	265	x	427	x 12
Right Side	265	x	427	x 12
Optional Cross Brace	265	x	427	x 12

# TECHNICAL SPECIFICATIONS

## Specifications & Parameters

### Specifications

Nominal Diameter	102 mm
Nominal Impedance	4.0 $\Omega$
Nominal Power Handling (AES)	20 W
Program Power (AES)	40 W
Sensitivity (1W/1m)	86 dB
Frequency Range	231-13K Hz
Magnet Material	Ferrite
Voice Coil Diameter	19.10 mm
Winding Material	COPPER
Former Material	SV COATED KRAFT
Winding Type	Outside

### Mounting Info

Overall Diameter	102 mm
Baffle Cutout Diameter	93 mm
Depth	41 mm
Flange and Gasket Thickness	8 mm
Gross Weight	

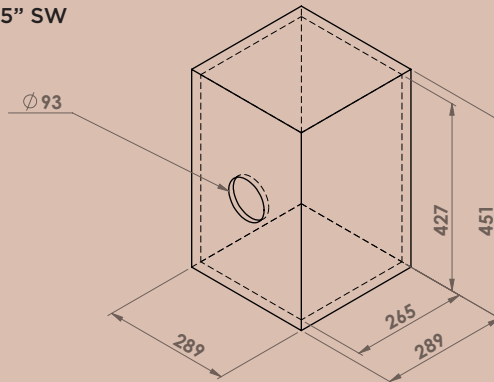
### Parameters

Resonant Frequency	Fs	231 Hz
DC Resistance	Re	3.5 $\Omega$
Electrical Q	Qes	4.04
Mechanical Q	Qms	3.46
Total Q	Qts	1.86
Compliance Equivalent Volume	Vas	0.74Ltrs
Peak Diaphragm Displacement Volume	Vd	0.009 Ltrs
Effective Surface Area of Cone	Sd	54 cm <sup>2</sup>
Reference Efficiency	$\eta_0$	0.22%
Moving Mass including air load	Mms	2.63 gms
Motor Strength	Bl	1.82 T-m
Voice Coil Inductance @ 1 KHz	Le	0.12 mH
Efficiency Bandwith Product	EBP	57 Hz
Voice Coil Overhang	Xmax	$\pm 1.70$ mm

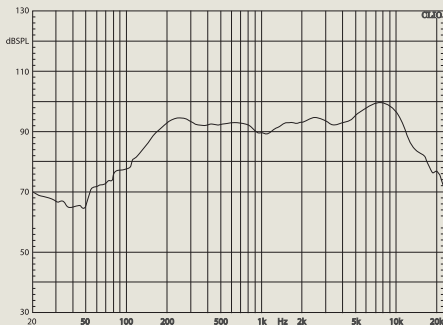
### Recone Kit

Recone Kit Number	REC4INCH20W
-------------------	-------------

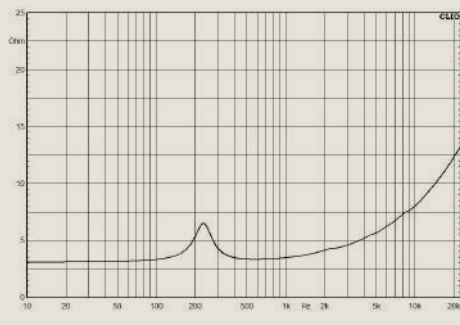
### ENCLOSURE of 5" SW



### FREQUENCY RESPONSE CURVE



### IMPEDANCE CURVE



# WOOFER 4" 40 WT

80 W  
Program Power

19.18 mm  
Voice Coil

202-3K Hz  
Response

87 dB  
sensitivity



## RECOMMENDED ENCLOSURE SIZE

Panel	Dimensions (mm)			
Front	000	x	000	x 00
Back	000	x	000	x 00
Top	000	x	000	x 00
Bottom	000	x	000	x 00
Left Side	000	x	000	x 00
Right Side	000	x	000	x 00
Optional Cross Brace	000	x	000	x 00

# TECHNICAL SPECIFICATIONS

## Specifications & Parameters

### Specifications

Nominal Diameter	101 mm
Nominal Impedance	4.0 $\Omega$
Nominal Power Handling (AES)	40 W
PMPO	80 W
Sensitivity (1W/1m)	87 dB
Frequency Range	202-3K Hz
Magnet Material	Ferrite
Voice Coil Diameter	19.18 mm
Winding Material	COPPER
Former Material	KAPTON
Winding Type	Outside

### Mounting Info

Overall Diameter	101 mm
Baffle Cutout Diameter	96 mm
Depth	48 mm
Flange and Gasket Thickness	6 mm
Gross Weight	0.53 Kgs

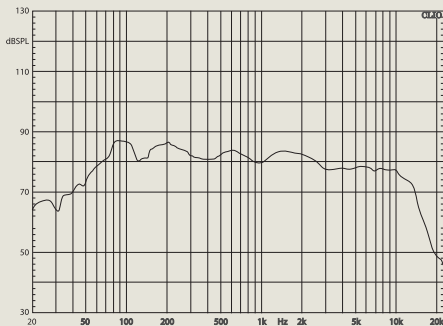
### Parameters

Resonant Frequency	Fs	202 Hz
DC Resistance	Re	3.5 $\Omega$
Electrical Q	Qes	2.04
Mechanical Q	Qms	3.12
Total Q	Qts	1.23
Compliance Equivalent Volume	Vas	0.78 Ltrs
Peak Diaphragm Displacement Volume	Vd	0.09 Ltrs
Effective Surface Area of Cone	Sd	55.42 cm <sup>2</sup>
Reference Efficiency	$\eta_0$	0.30%
Moving Mass including air load	Mms	3.40 gms
Motor Strength	Bl	2.72 T-m
Voice Coil Inductance @ 1 KHz	Le	0.28 mH
Efficiency Bandwith Product	EBP	99 Hz
Voice Coil Overhang	Xmax	$\pm 4.35$ mm

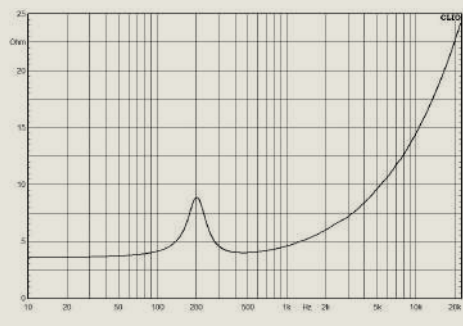
### Recone Kit

Recone Kit Number	REC4INCH40WF
-------------------	--------------

### FREQUENCY RESPONSE CURVE



### IMPEDANCE CURVE



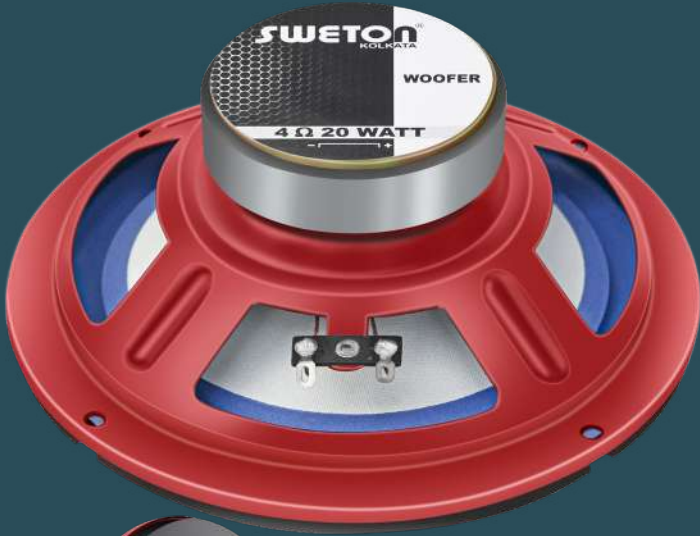
# WOOFER 6" 20 WT

40 W  
Program Power

25.4 mm  
Voice Coil

79-7.5K Hz  
Response

86 dB  
sensitivity



## RECOMMENDED ENCLOSURE SIZE

Panel	Dimensions (mm)			
Front	592	x	375	x 12
Back	592	x	375	x 12
Top	351	x	375	x 12
Bottom	351	x	375	x 12
Left Side	351	x	568	x 12
Right Side	351	x	568	x 12
Optional Cross Brace	351	x	568	x 12

# TECHNICAL SPECIFICATIONS

## Specifications & Parameters

### Specifications

Nominal Diameter	166 mm
Nominal Impedance	3.4 $\Omega$
Nominal Power Handling (AES)	20 W
Program Power (AES)	40 W
Sensitivity (1W/1m)	86 dB
Frequency Range	79-7.5K Hz
Magnet Material	Ferrite
Voice Coil Diameter	25.4 mm
Winding Material	COPPER
Former Material	SV COATED KRAFT
Winding Type	Outside

### Mounting Info

Overall Diameter	166 mm
Baffle Cutout Diameter	144 mm
Depth	64.75 mm
Flange and Gasket Thickness	8 mm
Gross Weight	

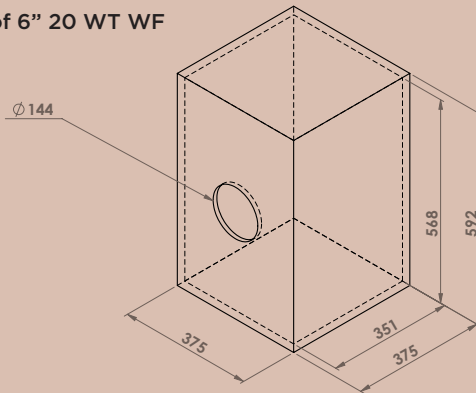
### Parameters

Resonant Frequency	Fs	79 Hz
DC Resistance	Re	3.4 $\Omega$
Electrical Q	Qes	2.21
Mechanical Q	Qms	6.88
Total Q	Qts	1.67
Compliance Equivalent Volume	Vas	11.97 Ltrs
Peak Diaphragm Displacement Volume	Vd	0.04 Ltrs
Effective Surface Area of Cone	Sd	143 cm <sup>2</sup>
Reference Efficiency	$\eta_0$	0.25%
Moving Mass including air load	Mms	9.77 gms
Motor Strength	Bl	2.73 T-m
Voice Coil Inductance @ 1 KHz	Le	0.27 mH
Efficiency Bandwith Product	EBP	36 Hz
Voice Coil Overhang	Xmax	$\pm 3.15$ mm

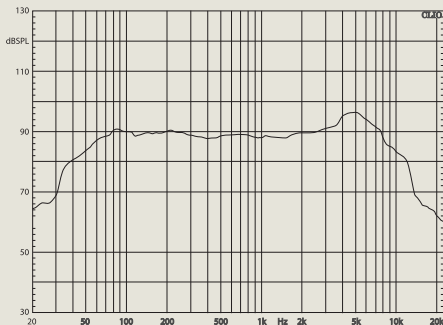
### Recone Kit

Recone Kit Number	REC6INCH20W
-------------------	-------------

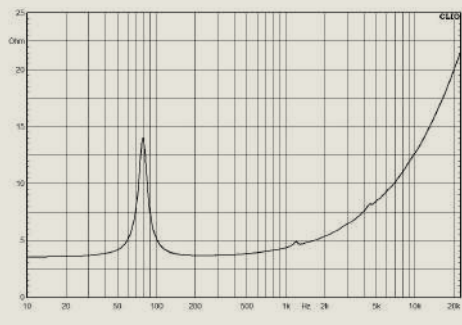
### ENCLOSURE of 6" 20 WT WF



### FREQUENCY RESPONSE CURVE



### IMPEDANCE CURVE



# WOOFER 6" 40 WT

80 W  
Program Power

25.68 mm  
Voice Coil

70 - 7K Hz  
Response

89 dB  
sensitivity



## RECOMMENDED ENCLOSURE SIZE

Panel	Dimensions (mm)			
Front	445	x	381	x 12
Back	445	x	381	x 12
Top	433	x	381	x 12
Bottom	433	x	381	x 12
Left Side	433	x	421	x 12
Right Side	433	x	421	x 12
Optional Cross Brace	357	x	421	x 12

# TECHNICAL SPECIFICATIONS

## Specifications & Parameters

### Specifications

Nominal Diameter	167.25 mm
Nominal Impedance	4 $\Omega$
Nominal Power Handling (AES)	40 W
Program Power (AES)	80 W
Sensitivity (1W/1m)	89 dB
Frequency Range	70-7K Hz
Magnet Material	Ferrite
Voice Coil Diameter	25.68 mm
Winding Material	COPPER
Former Material	SV COATED KRAFT
Winding Type	Outside

### Mounting Info

Overall Diameter	167.25 mm
Baffle Cutout Diameter	147.25 mm
Depth	73 mm
Flange and Gasket Thickness	8 mm
Gross Weight	

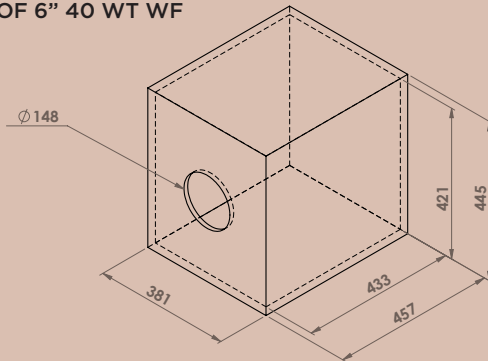
### Parameters

Resonant Frequency	Fs	70 Hz
DC Resistance	Re	3.5 $\Omega$
Electrical Q	Qes	0.85
Mechanical Q	Qms	9.73
Total Q	Qts	0.78
Compliance Equivalent Volume	Vas	11.94 Ltrs
Peak Diaphragm Displacement Volume	Vd	0.04 Ltrs
Effective Surface Area of Cone	Sd	143 cm <sup>2</sup>
Reference Efficiency	$\eta_0$	0.47%
Moving Mass including air load	Mms	12.36 gms
Motor Strength	Bl	4.75 T-m
Voice Coil Inductance @ 1 KHz	Le	0.36 mH
Efficiency Bandwith Product	EBP	82 Hz
Voice Coil Overhang	Xmax	$\pm 3.06$ mm

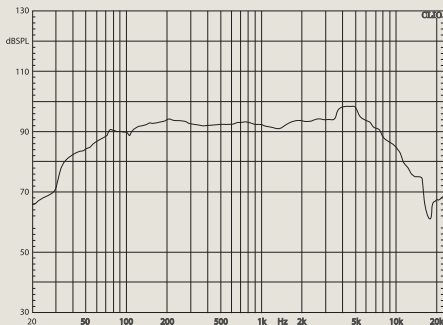
### Recone Kit

Recone Kit Number	REC6INCH40W
-------------------	-------------

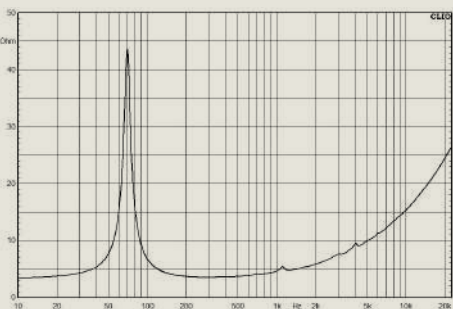
### ENCLOSURE OF 6" 40 WT WF



### FREQUENCY RESPONSE CURVE



### IMPEDANCE CURVE



# WOOFER 6" 60 WT

120 W  
Program Power

25.68 mm  
Voice Coil

79-8K Hz  
Response

87 dB  
sensitivity



## RECOMMENDED ENCLOSURE SIZE

Panel	Dimensions (mm)			
Front	562	x	358	x 12
Back	562	x	358	x 12
Top	334	x	358	x 12
Bottom	334	x	358	x 12
Left Side	334	x	538	x 12
Right Side	334	x	538	x 12
Optional Cross Brace	334	x	538	x 12

# TECHNICAL SPECIFICATIONS

## Specifications & Parameters

### Specifications

Nominal Diameter	167.25 mm
Nominal Impedance	4 $\Omega$
Nominal Power Handling (AES)	60 W
Program Power (AES)	120 W
Sensitivity (1W/1m)	87 dB
Frequency Range	79-8K Hz
Magnet Material	Ferrite
Voice Coil Diameter	25.68 mm
Winding Material	COPPER
Former Material	SV COATED KRAFT
Winding Type	Outside

### Mounting Info

Overall Diameter	167.25 mm
Baffle Cutout Diameter	147.25 mm
Depth	77 mm
Flange and Gasket Thickness	8 mm
Gross Weight	

### Parameters

Resonant Frequency	Fs	79 Hz
DC Resistance	Re	3.5 $\Omega$
Electrical Q	Qes	1.15
Mechanical Q	Qms	6.56
Total Q	Qts	0.98
Compliance Equivalent Volume	Vas	7.14 Ltrs
Peak Diaphragm Displacement Volume	Vd	0.03 Ltrs
Effective Surface Area of Cone	Sd	143 cm <sup>2</sup>
Reference Efficiency	$\eta_0$	0.29%
Moving Mass including air load	Mms	16.37 gms
Motor Strength	Bl	4.95 T-m
Voice Coil Inductance @ 1 KHz	Le	0.29 mH
Efficiency Bandwith Product	EBP	68 Hz
Voice Coil Overhang	Xmax	$\pm 2.31$ mm

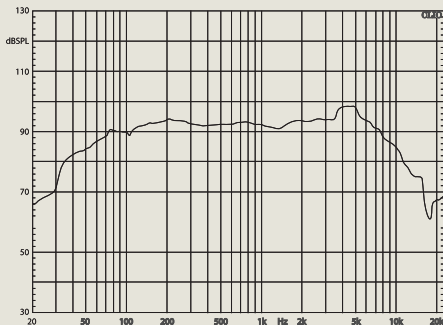
### Recone Kit

Recone Kit Number	REC6INCH60W
-------------------	-------------

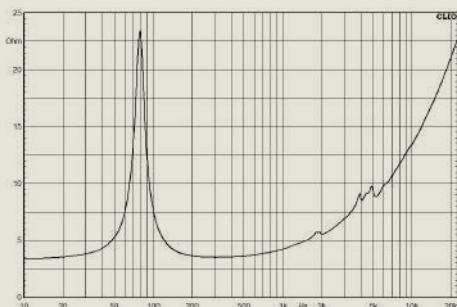
### ENCLOSURE OF 6" 60 WT WF



### FREQUENCY RESPONSE CURVE



### IMPEDANCE CURVE



# WOOFER 6" 100 WT

200 W  
Program Power

25.5 mm  
Voice Coil

68-8K Hz  
Response

87 dB  
sensitivity



## RECOMMENDED ENCLOSURE SIZE

Panel	Dimensions (mm)			
Front	497	x	315	x 12
Back	497	x	315	x 12
Top	291	x	315	x 12
Bottom	291	x	315	x 12
Left Side	291	x	473	x 12
Right Side	291	x	473	x 12
Optional Cross Brace	291	x	473	x 12

# TECHNICAL SPECIFICATIONS

## Specifications & Parameters

### Specifications

Nominal Diameter	167.25 mm
Nominal Impedance	8.0 $\Omega$
Nominal Power Handling (AES)	100 W
Program Power (AES)	200 W
Sensitivity (1W/1m)	87 dB
Frequency Range	68-8K Hz
Magnet Material	Ferrite
Voice Coil Diameter	25.5 mm
Winding Material	COPPER
Former Material	KAPTON
Winding Type	Outside

### Mounting Info

Overall Diameter	167.25 mm
Baffle Cutout Diameter	147.25 mm
Depth	85 mm
Flange and Gasket Thickness	8 mm
Gross Weight	

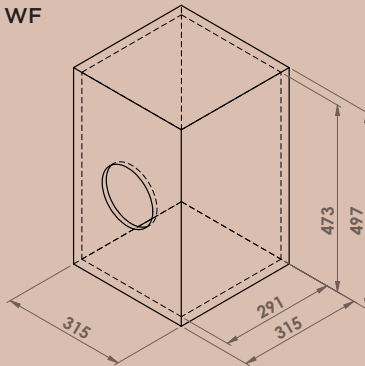
### Parameters

Resonant Frequency	Fs	68 Hz
DC Resistance	Re	6 $\Omega$
Electrical Q	Qes	0.83
Mechanical Q	Qms	5.36
Total Q	Qts	0.72
Compliance Equivalent Volume	Vas	8.48 Ltrs
Peak Diaphragm Displacement Volume	Vd	0.07 Ltrs
Effective Surface Area of Cone	Sd	132 cm <sup>2</sup>
Reference Efficiency	$\eta_0$	0.32%
Moving Mass including air load	Mms	15.67 gms
Motor Strength	Bl	7.00 T-m
Voice Coil Inductance @ 1 KHz	Le	0.64 mH
Efficiency Bandwith Product	EBP	82 Hz
Voice Coil Overhang	Xmax	$\pm 5.31$ mm

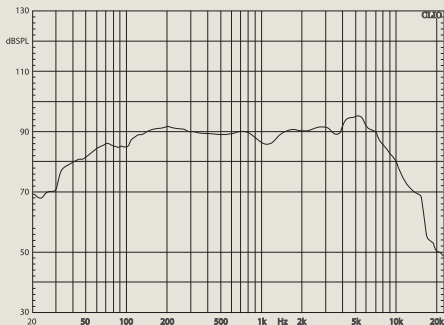
### Recone Kit

Recone Kit Number	REC6INCHI00W
-------------------	--------------

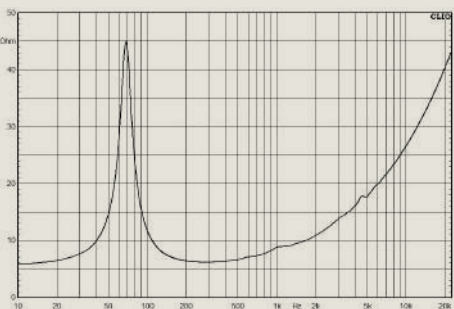
### ENCLOSURE OF 6" 100 WF



### FREQUENCY RESPONSE CURVE



### IMPEDANCE CURVE



# WOOFER 8" 40 WT

80 W  
Program Power

25.4 mm  
Voice Coil

79-10.2K Hz  
Response

91 dB  
sensitivity



## RECOMMENDED ENCLOSURE SIZE

Panel	Dimensions (mm)			
Front	457	x	383	x 12
Back	457	x	383	x 12
Top	483	x	383	x 12
Bottom	483	x	383	x 12
Left Side	483	x	433	x 12
Right Side	483	x	433	x 12
Optional Cross Brace	359	x	433	x 12

# TECHNICAL SPECIFICATIONS

## Specifications & Parameters

### Specifications

Nominal Diameter	215 mm
Nominal Impedance	4 $\Omega$
Nominal Power Handling (AES)	40 W
Program Power (AES)	80 W
Sensitivity (1W/1m)	91 dB
Frequency Range	79-10.2K Hz
Magnet Material	Ferrite
Voice Coil Diameter	25.4 mm
Winding Material	COPPER
Former Material	SV COATED KRAFT
Winding Type	Outside

### Mounting Info

Overall Diameter	215 mm
Baffle Cutout Diameter	196 mm
Depth	95 mm
Flange and Gasket Thickness	9.0 mm
Gross Weight	

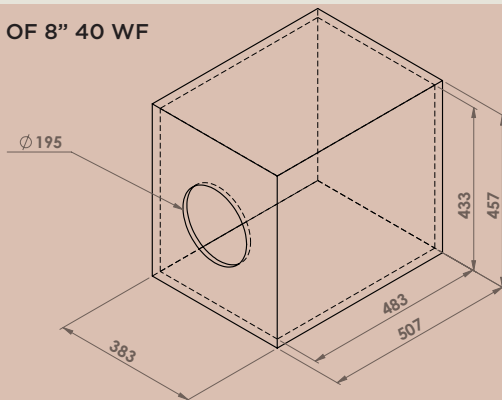
### Parameters

Resonant Frequency	Fs	79 Hz
DC Resistance	Re	3.9 $\Omega$
Electrical Q	Qes	1.18
Mechanical Q	Qms	11.92
Total Q	Qts	1.07
Compliance Equivalent Volume	Vas	17.41 Ltrs
Peak Diaphragm Displacement Volume	Vd	0.06 Ltrs
Effective Surface Area of Cone	Sd	221.7 cm <sup>2</sup>
Reference Efficiency	$\eta_0$	0.71%
Moving Mass including air load	Mms	15.87 gms
Motor Strength	Bl	5.11 T-m
Voice Coil Inductance @ 1 KHz	Le	0.39 mH
Efficiency Bandwith Product	EBP	67 Hz
Voice Coil Overhang	Xmax	$\pm 8.65$ mm

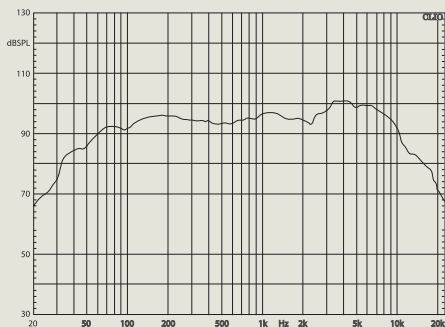
### Recone Kit

Recone Kit Number	REC8INCH40W
-------------------	-------------

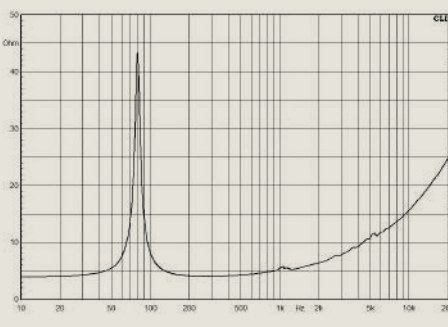
### ENCLOSURE OF 8" 40 WF



### FREQUENCY RESPONSE CURVE



### IMPEDANCE CURVE



# WOOFER 8" 60 WT

120 W  
Program Power

25.4 mm  
Voice Coil

63-6.7K Hz  
Response

92 dB  
sensitivity



## RECOMMENDED ENCLOSURE SIZE

Panel	Dimensions (mm)			
Front	485	x	375	x 12
Back	485	x	375	x 12
Top	433	x	375	x 12
Bottom	433	x	375	x 12
Left Side	433	x	461	x 12
Right Side	433	x	461	x 12
Optional Cross Brace	351	x	461	x 12

# TECHNICAL SPECIFICATIONS

## Specifications & Parameters

### Specifications

Nominal Diameter	215 mm
Nominal Impedance	4 $\Omega$
Nominal Power Handling (AES)	60 W
Program Power (AES)	120 W
Sensitivity (1W/1m)	92 dB
Frequency Range	63-6.7K Hz
Magnet Material	Ferrite
Voice Coil Diameter	25.4 mm
Winding Material	COPPER
Former Material	SV COATED KRAFT
Winding Type	Outside

### Mounting Info

Overall Diameter	215 mm
Baffle Cutout Diameter	195 mm
Depth	89.25 mm
Flange and Gasket Thickness	7.75 mm
Gross Weight	

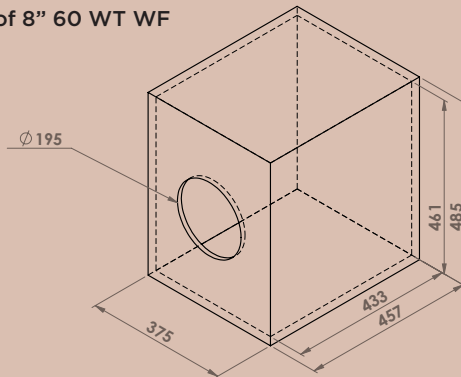
### Parameters

Resonant Frequency	Fs	63 Hz
DC Resistance	Re	3.5 $\Omega$
Electrical Q	Qes	0.77
Mechanical Q	Qms	5.82
Total Q	Qts	0.68
Compliance Equivalent Volume	Vas	28.84 Ltrs
Peak Diaphragm Displacement Volume	Vd	0.07 Ltrs
Effective Surface Area of Cone	Sd	227 cm <sup>2</sup>
Reference Efficiency	$\eta_0$	0.88%
Moving Mass including air load	Mms	16.14 gms
Motor Strength	Bl	5.36 T-m
Voice Coil Inductance @ 1 KHz	Le	0.36 mH
Efficiency Bandwith Product	EBP	82 Hz
Voice Coil Overhang	Xmax	$\pm 3.06$ mm

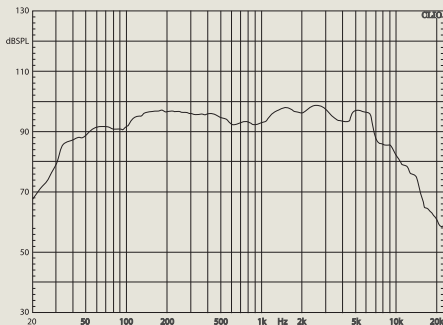
### Recone Kit

Recone Kit Number	REC8INCH60W
-------------------	-------------

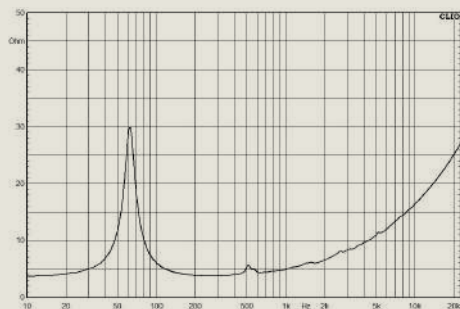
### ENCLOSURE of 8" 60 WT WF



### FREQUENCY RESPONSE CURVE



### IMPEDANCE CURVE



# WOOFER 8" 80 WT

160 W  
Program Power

25.4 mm  
Voice Coil

58-5.7K Hz  
Response

88 dB  
sensitivity



## RECOMMENDED ENCLOSURE SIZE

Panel	Dimensions (mm)			
Front	593	x	375	x 12
Back	593	x	375	x 12
Top	351	x	375	x 12
Bottom	351	x	375	x 12
Left Side	351	x	569	x 12
Right Side	351	x	569	x 12
Optional Cross Brace	351	x	569	x 12

# TECHNICAL SPECIFICATIONS

## Specifications & Parameters

### Specifications

Nominal Diameter	215 mm
Nominal Impedance	8 $\Omega$
Nominal Power Handling (AES)	80 W
Program Power (AES)	160 W
Sensitivity (1W/1m)	88 dB
Frequency Range	58-5.7K Hz
Magnet Material	Ferrite
Voice Coil Diameter	25.4 mm
Winding Material	COPPER
Former Material	SV COATED KRAFT
Winding Type	Outside

### Mounting Info

Overall Diameter	215 mm
Baffle Cutout Diameter	195 mm
Depth	98.5 mm
Flange and Gasket Thickness	9.0 mm
Gross Weight	

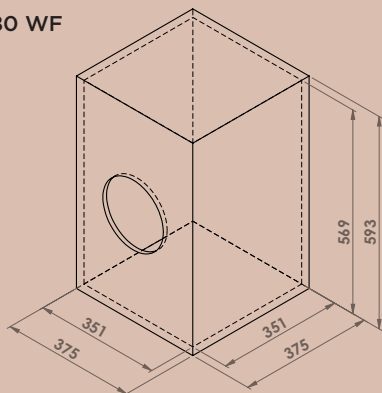
### Parameters

Resonant Frequency	Fs	58 Hz
DC Resistance	Re	6.4 $\Omega$
Electrical Q	Qes	1.14
Mechanical Q	Qms	5.48
Total Q	Qts	0.94
Compliance Equivalent Volume	Vas	23.16 Ltrs
Peak Diaphragm Displacement Volume	Vd	0.13 Ltrs
Effective Surface Area of Cone	Sd	227 cm <sup>2</sup>
Reference Efficiency	$\eta_0$	0.38%
Moving Mass including air load	Mms	23.54 gms
Motor Strength	Bl	6.94 T-m
Voice Coil Inductance @ 1 KHz	Le	0.73 mH
Efficiency Bandwith Product	EBP	51 Hz
Voice Coil Overhang	Xmax	±5.88 mm

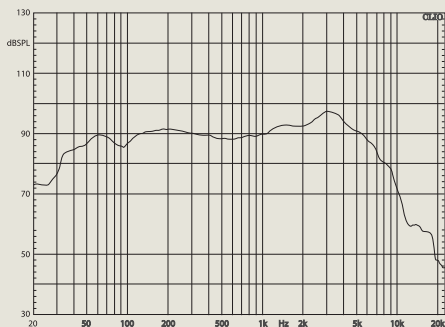
### Recone Kit

Recone Kit Number	REC8INCH80W
-------------------	-------------

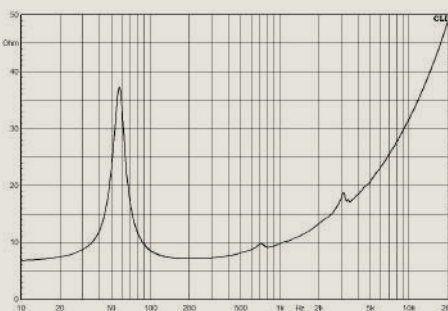
### ENCLOSURE of 8" 80 WF



### FREQUENCY RESPONSE CURVE



### IMPEDANCE CURVE



# WOOFER 8" 100 WT

200 W  
Program Power

25.5 mm  
Voice Coil

53-6.7K Hz  
Response

88 dB  
sensitivity



## RECOMMENDED ENCLOSURE SIZE

Panel	Dimensions (mm)			
Front	607	x	383	x 12
Back	607	x	383	x 12
Top	359	x	383	x 12
Bottom	359	x	383	x 12
Left Side	359	x	583	x 12
Right Side	359	x	583	x 12
Optional Cross Brace	359	x	583	x 12

# TECHNICAL SPECIFICATIONS

## Specifications & Parameters

### Specifications

Nominal Diameter	215 mm
Nominal Impedance	8 $\Omega$
Nominal Power Handling (AES)	100 W
Program Power (AES)	200 W
Sensitivity (1W/1m)	88 dB
Frequency Range	53-6.7K Hz
Magnet Material	Ferrite
Voice Coil Diameter	25.50 mm
Winding Material	COPPER
Former Material	SV COATED KRAFT
Winding Type	Outside

### Mounting Info

Overall Diameter	215 mm
Baffle Cutout Diameter	195 mm
Depth	90 mm
Flange and Gasket Thickness	9.25 mm
Gross Weight	

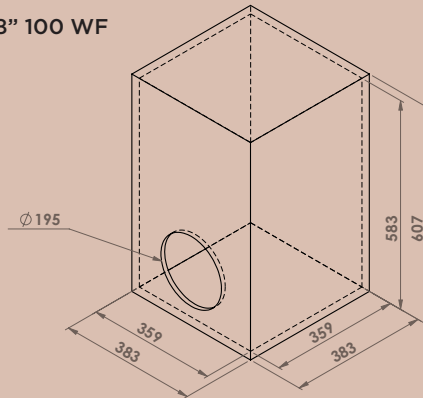
### Parameters

Resonant Frequency	Fs	53 Hz
DC Resistance	Re	6.4 $\Omega$
Electrical Q	Qes	0.9
Mechanical Q	Qms	5.48
Total Q	Qts	0.77
Compliance Equivalent Volume	Vas	26.77 Ltrs
Peak Diaphragm Displacement Volume	Vd	0.11 Ltrs
Effective Surface Area of Cone	Sd	221.7 cm <sup>2</sup>
Reference Efficiency	$\eta_0$	0.42%
Moving Mass including air load	Mms	23.27 gms
Motor Strength	Bl	7.42 T-m
Voice Coil Inductance @ 1 KHz	Le	0.71 mH
Efficiency Bandwith Product	EBP	59 Hz
Voice Coil Overhang	Xmax	$\pm 5.31$ mm

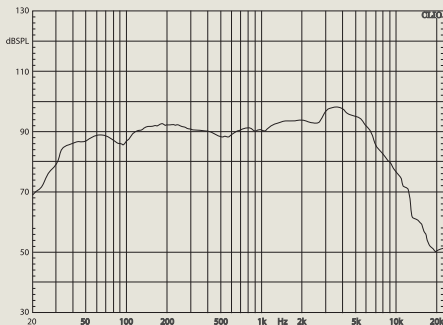
### Recone Kit

Recone Kit Number	REC8INCHI00W
-------------------	--------------

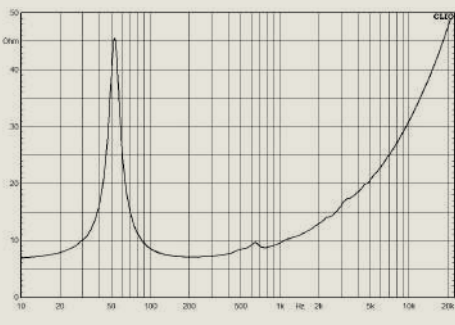
### ENCLOSURE of 8" 100 WF



### FREQUENCY RESPONSE CURVE



### IMPEDANCE CURVE



# WOOFER 8" 120 WT

240 W  
Program Power

34 mm  
Voice Coil

61-4.2K Hz  
Response

88 dB  
sensitivity



## RECOMMENDED ENCLOSURE SIZE

Panel	Dimensions (mm)			
Front	338	x	338	x 12
Back	338	x	338	x 12
Top	508	x	338	x 12
Bottom	508	x	338	x 12
Left Side	508	x	314	x 12
Right Side	508	x	314	x 12
Optional Cross Brace	314	x	314	x 12

# TECHNICAL SPECIFICATIONS

## Specifications & Parameters

### Specifications

Nominal Diameter	210 mm
Nominal Impedance	8 $\Omega$
Nominal Power Handling (AES)	120 W
Program Power (AES)	240 W
Sensitivity (1W/1m)	88 dB
Frequency Range	61-4.2K Hz
Magnet Material	Ferrite
Voice Coil Diameter	34 mm
Winding Material	COPPER
Former Material	KAPTON
Winding Type	Outside

### Mounting Info

Overall Diameter	210 mm
Baffle Cutout Diameter	179 mm
Depth	99.5 mm
Flange and Gasket Thickness	11 mm
Gross Weight	

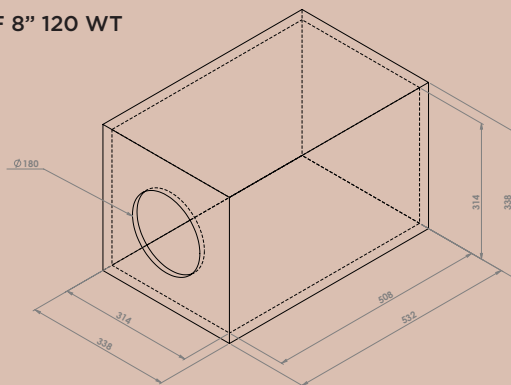
### Parameters

Resonant Frequency	Fs	61 Hz
DC Resistance	Re	4.6 $\Omega$
Electrical Q	Qes	0.99
Mechanical Q	Qms	5.09
Total Q	Qts	0.83
Compliance Equivalent Volume	Vas	18.68 Ltrs
Peak Diaphragm Displacement Volume	Vd	0.18 Ltrs
Effective Surface Area of Cone	Sd	221.7 cm <sup>2</sup>
Reference Efficiency	$\eta_0$	0.41%
Moving Mass including air load	Mms	24.87 gms
Motor Strength	Bl	6.66 T-m
Voice Coil Inductance @ 1 KHz	Le	0.86 mH
Efficiency Bandwith Product	EBP	62 Hz
Voice Coil Overhang	Xmax	$\pm 8.14$ mm

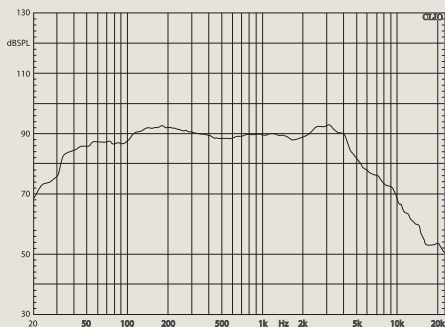
### Recone Kit

Recone Kit Number	REC8INCH120W
-------------------	--------------

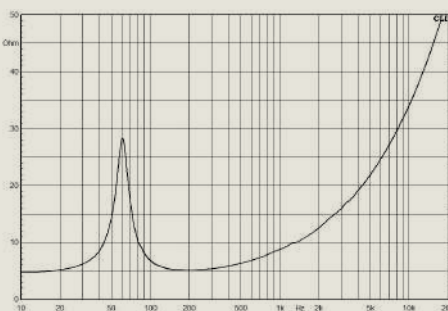
### ENCLOSURE OF 8" 120 WT



### FREQUENCY RESPONSE CURVE



### IMPEDANCE CURVE



# WOOFER 8" 150 WT

300 W  
Program Power

35 mm  
Voice Coil

50-4.8K Hz  
Response

89 dB  
sensitivity



## RECOMMENDED ENCLOSURE SIZE

Panel	Dimensions (mm)			
Front	533	x	338	x 12
Back	533	x	338	x 12
Top	314	x	338	x 12
Bottom	314	x	338	x 12
Left Side	314	x	509	x 12
Right Side	314	x	509	x 12
Optional Cross Brace	314	x	509	x 12

# TECHNICAL SPECIFICATIONS

## Specifications & Parameters

### Specifications

Nominal Diameter	210 mm
Nominal Impedance	8 $\Omega$
Nominal Power Handling (AES)	150 W
Program Power (AES)	300 W
Sensitivity (1W/1m)	89 dB
Frequency Range	50-4.8K Hz
Magnet Material	Ferrite
Voice Coil Diameter	35 mm
Winding Material	COPPER
Former Material	KAPTON
Winding Type	Outside

### Mounting Info

Overall Diameter	210 mm
Baffle Cutout Diameter	180.5 mm
Depth	100 mm
Flange and Gasket Thickness	11 mm
Gross Weight	

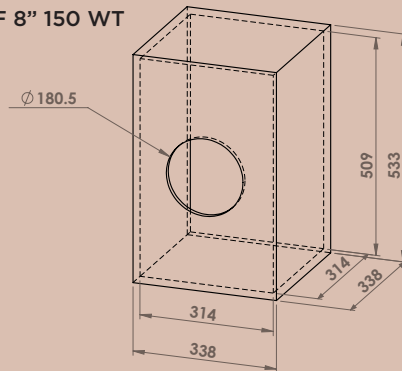
### Parameters

Resonant Frequency	Fs	50 Hz
DC Resistance	Re	6.0 $\Omega$
Electrical Q	Qes	0.76
Mechanical Q	Qms	13.79
Total Q	Qts	0.72
Compliance Equivalent Volume	Vas	28.98 Ltrs
Peak Diaphragm Displacement Volume	Vd	0.18 Ltrs
Effective Surface Area of Cone	Sd	221.7 cm <sup>2</sup>
Reference Efficiency	$\eta_0$	0.46%
Moving Mass including air load	Mms	24.07 gms
Motor Strength	Bl	7.73 T-m
Voice Coil Inductance @ 1 KHz	Le	0.94 mH
Efficiency Bandwith Product	EBP	66 Hz
Voice Coil Overhang	Xmax	$\pm 7.94$ mm

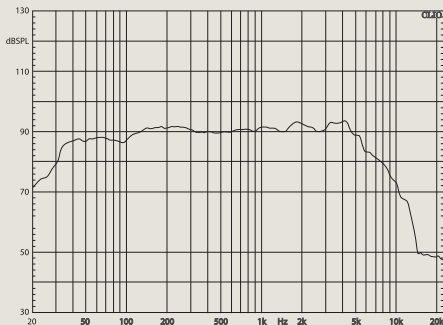
### Recone Kit

Recone Kit Number	REC8INCH150W
-------------------	--------------

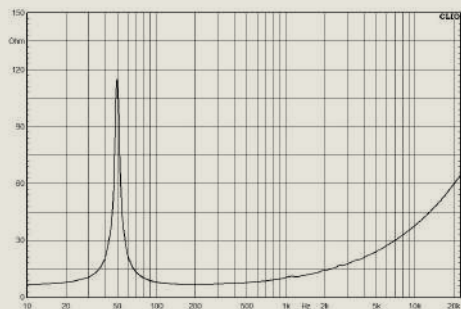
### ENCLOSURE OF 8" 150 WT



### FREQUENCY RESPONSE CURVE



### IMPEDANCE CURVE



# WOOFER 8" 180 WT

360 W  
Program Power

35 mm  
Voice Coil

53-5.3K Hz  
Response

90 dB  
sensitivity



## RECOMMENDED ENCLOSURE SIZE

Panel	Dimensions (mm)			
Front	599	x	378	x 12
Back	599	x	378	x 12
Top	354	x	378	x 12
Bottom	354	x	378	x 12
Left Side	354	x	575	x 12
Right Side	354	x	575	x 12
Optional Cross Brace	354	x	575	x 12

PORT DIAMETER	50 mm
PORT LENGTH	19 mm

# TECHNICAL SPECIFICATIONS

## Specifications & Parameters

### Specifications

Nominal Diameter	210 mm
Nominal Impedance	4 $\Omega$
Nominal Power Handling (AES)	180 W
Program Power (AES)	360 W
Sensitivity (1W/1m)	90 dB
Frequency Range	53-5.3K Hz
Magnet Material	Ferrite
Voice Coil Diameter	35 mm
Winding Material	COPPER
Former Material	KAPTON
Winding Type	Outside

### Mounting Info

Overall Diameter	210 mm
Baffle Cutout Diameter	180.5 mm
Depth	100 mm
Flange and Gasket Thickness	11 mm
Gross Weight	

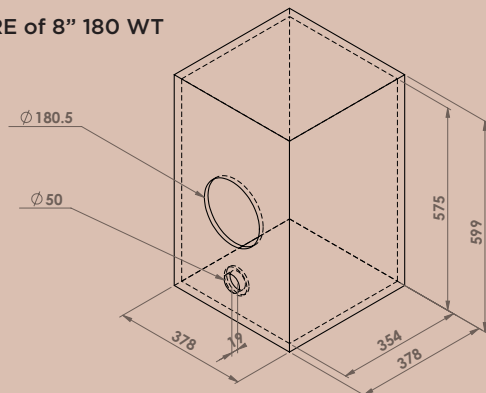
### Parameters

Resonant Frequency	Fs	53 Hz
DC Resistance	Re	3.9 $\Omega$
Electrical Q	Qes	0.58
Mechanical Q	Qms	13.57
Total Q	Qts	0.56
Compliance Equivalent Volume	Vas	27 Ltrs
Peak Diaphragm Displacement Volume	Vd	0.10 Ltrs
Effective Surface Area of Cone	Sd	221.7 cm <sup>2</sup>
Reference Efficiency	$\eta_0$	0.66%
Moving Mass including air load	Mms	23.07 gms
Motor Strength	Bl	7.16 T-m
Voice Coil Inductance @ 1 KHz	Le	0.60 mH
Efficiency Bandwith Product	EBP	91 Hz
Voice Coil Overhang	Xmax	$\pm 4.69$ mm

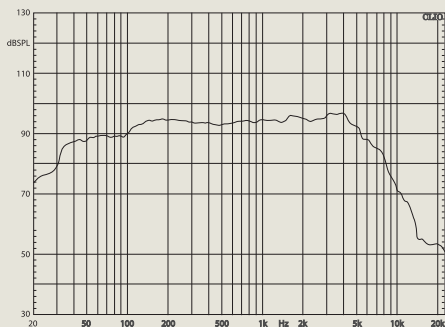
### Recone Kit

Recone Kit Number	REC8INCH180W
-------------------	--------------

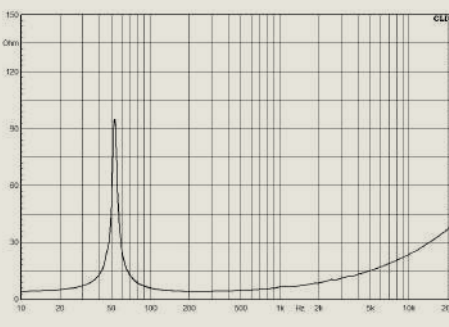
### ENCLOSURE of 8" 180 WT



### FREQUENCY RESPONSE CURVE



### IMPEDANCE CURVE



# WOOFER 10" 80 WT

160 W  
Program Power

34 mm  
Voice Coil

61-4.7K Hz  
Response

89 dB  
sensitivity



## RECOMMENDED ENCLOSURE SIZE

Panel	Dimensions (mm)			
Front	665	x	399	x 16
Back	665	x	399	x 16
Top	367	x	399	x 16
Bottom	367	x	399	x 16
Left Side	367	x	633	x 16
Right Side	367	x	633	x 16
Optional Cross Brace	367	x	633	x 16

# TECHNICAL SPECIFICATIONS

## Specifications & Parameters

### Specifications

Nominal Diameter	255 mm
Nominal Impedance	8.0 $\Omega$
Nominal Power Handling (AES)	80 W
Program Power (AES)	160 W
Sensitivity (1W/1m)	89 dB
Frequency Range	61-4.7K Hz
Magnet Material	Ferrite
Voice Coil Diameter	34 mm
Winding Material	COPPER
Former Material	KAPTON
Winding Type	Outside

### Mounting Info

Overall Diameter	255 mm
Baffle Cutout Diameter	228 mm
Depth	116 mm
Flange and Gasket Thickness	12 mm
Gross Weight	

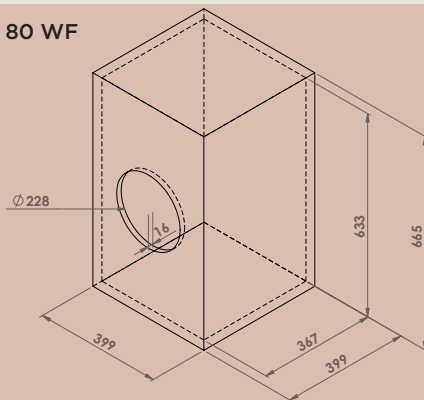
### Parameters

Resonant Frequency	Fs	61 Hz
DC Resistance	Re	5.3 $\Omega$
Electrical Q	Qes	1.71
Mechanical Q	Qms	14.66
Total Q	Qts	1.53
Compliance Equivalent Volume	Vas	35.59 Ltrs
Peak Diaphragm Displacement Volume	Vd	0.21 Ltrs
Effective Surface Area of Cone	Sd	370 cm <sup>2</sup>
Reference Efficiency	$\eta_0$	0.46%
Moving Mass including air load	Mms	36.33 gms
Motor Strength	Bl	6.59 T-m
Voice Coil Inductance @ 1 KHz	Le	0.83 mH
Efficiency Bandwith Product	EBP	36 Hz
Voice Coil Overhang	Xmax	$\pm 5.79$ mm

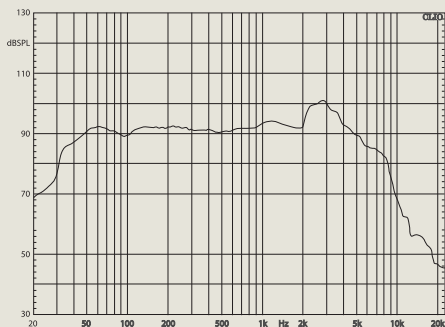
### Recone Kit

Recone Kit Number	REC10INCH80W
-------------------	--------------

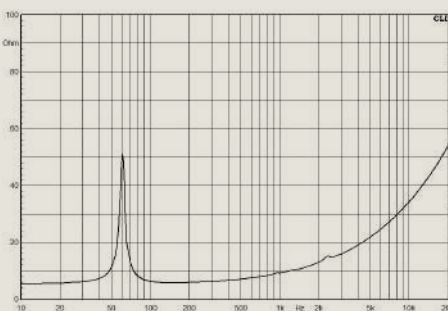
### ENCLOSURE OF 10" 80 WF



### FREQUENCY RESPONSE CURVE



### IMPEDANCE CURVE



# WOOFER 10" 100 WT

200 W  
Program Power

34 mm  
Voice Coil

61-5.5K Hz  
Response

90 dB  
sensitivity



## RECOMMENDED ENCLOSURE SIZE

Panel	Dimensions (mm)			
Front	628	x	399	x 16
Back	628	x	399	x 16
Top	367	x	399	x 16
Bottom	367	x	399	x 16
Left Side	367	x	596	x 16
Right Side	367	x	596	x 16
Optional Cross Brace	367	x	596	x 16

# TECHNICAL SPECIFICATIONS

## Specifications & Parameters

### Specifications

Nominal Diameter	255 mm
Nominal Impedance	8.0 $\Omega$
Nominal Power Handling (AES)	100 W
Program Power (AES)	200 W
Sensitivity (1W/1m)	90 dB
Frequency Range	61-5.5K Hz
Magnet Material	Ferrite
Voice Coil Diameter	34 mm
Winding Material	COPPER
Former Material	KAPTON
Winding Type	Outside

### Mounting Info

Overall Diameter	255 mm
Baffle Cutout Diameter	228 mm
Depth	120 mm
Flange and Gasket Thickness	12 mm
Gross Weight	

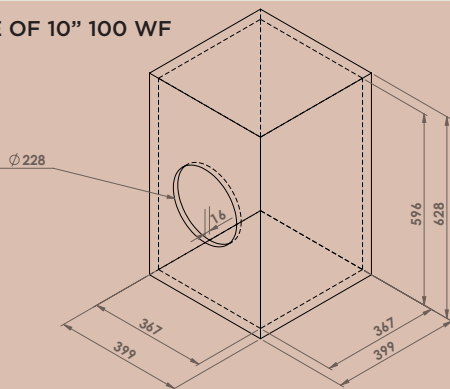
### Parameters

Resonant Frequency	Fs	61 Hz
DC Resistance	Re	5.3 $\Omega$
Electrical Q	Qes	1.21
Mechanical Q	Qms	14.46
Total Q	Qts	1.11
Compliance Equivalent Volume	Vas	35.59 Ltrs
Peak Diaphragm Displacement Volume	Vd	0.21 Ltrs
Effective Surface Area of Cone	Sd	370 cm <sup>2</sup>
Reference Efficiency	$\eta_0$	0.65%
Moving Mass including air load	Mms	36.33 gms
Motor Strength	Bl	7.83 T-m
Voice Coil Inductance @ 1 KHz	Le	0.72 mH
Efficiency Bandwith Product	EBP	50 Hz
Voice Coil Overhang	Xmax	$\pm 5.75$ mm

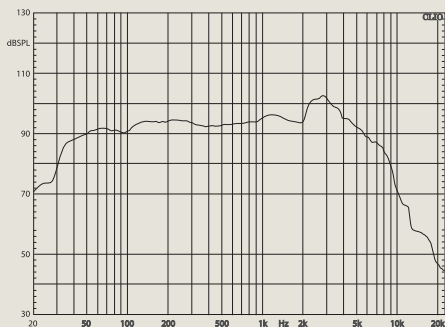
### Recone Kit

Recone Kit Number	REC10INCH100W
-------------------	---------------

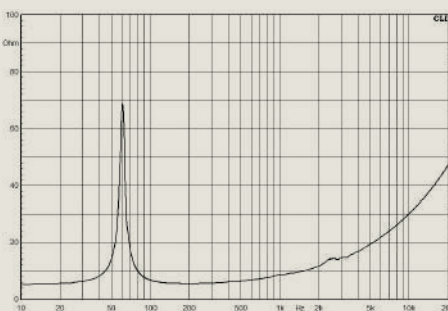
### ENCLOSURE OF 10" 100 WF



### FREQUENCY RESPONSE CURVE



### IMPEDANCE CURVE



# WOOFER 10" 120 WT

240 W  
Program Power

44.45 mm  
Voice Coil

44-3.4K Hz  
Response

91 dB  
sensitivity



## RECOMMENDED ENCLOSURE SIZE

Panel	Dimensions (mm)			
Front	601	x	384	x 16
Back	601	x	384	x 16
Top	352	x	384	x 16
Bottom	352	x	384	x 16
Left Side	352	x	569	x 16
Right Side	352	x	569	x 16
Optional Cross Brace	352	x	569	x 16

PORT DIAMETER	40 mm
PORT LENGTH	37 mm

# TECHNICAL SPECIFICATIONS

## Specifications & Parameters

### Specifications

Nominal Diameter	255 mm
Nominal Impedance	8.0 $\Omega$
Nominal Power Handling (AES)	120 W
Program Power (AES)	240 W
Sensitivity (1W/1m)	91 dB
Frequency Range	44-3.4K Hz
Magnet Material	Ferrite
Voice Coil Diameter	44.45 mm
Winding Material	COPPER
Former Material	KAPTON
Winding Type	Outside

### Mounting Info

Overall Diameter	255 mm
Baffle Cutout Diameter	228 mm
Depth	120 mm
Flange and Gasket Thickness	12 mm
Gross Weight	

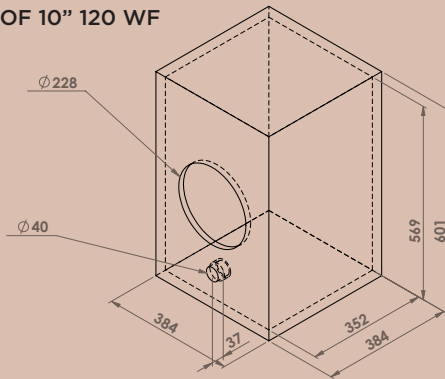
### Parameters

Resonant Frequency	Fs	44 Hz
DC Resistance	Re	5.8 $\Omega$
Electrical Q	Qes	0.68
Mechanical Q	Qms	8.2
Total Q	Qts	0.63
Compliance Equivalent Volume	Vas	57.17 Ltrs
Peak Diaphragm Displacement Volume	Vd	0.35 Ltrs
Effective Surface Area of Cone	Sd	380 cm <sup>2</sup>
Reference Efficiency	$\eta_0$	0.69%
Moving Mass including air load	Mms	46.00 gms
Motor Strength	Bl	10.41 T-m
Voice Coil Inductance @ 1 KHz	Le	1.05 mH
Efficiency Bandwith Product	EBP	65 Hz
Voice Coil Overhang	Xmax	$\pm 9.25$ mm

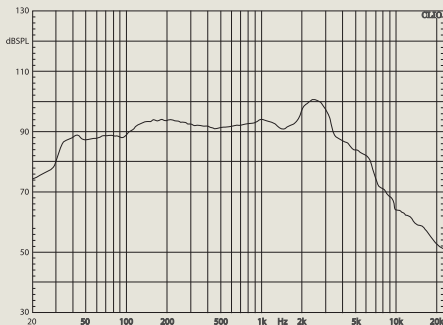
### Recone Kit

Recone Kit Number	REC10INCH120W
-------------------	---------------

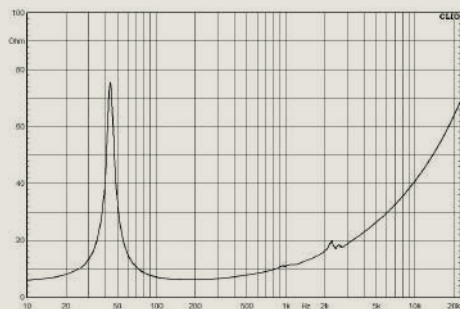
### ENCLOSURE OF 10" 120 WF



### FREQUENCY RESPONSE CURVE



### IMPEDANCE CURVE



# WOOFER 10" 150 WT

300 W  
Program Power

44.45 mm  
Voice Coil

47-4.4K Hz  
Response

91 dB  
sensitivity



## RECOMMENDED ENCLOSURE SIZE

Panel	Dimensions (mm)			
Front	601	x	385	x 16
Back	601	x	385	x 16
Top	353	x	385	x 16
Bottom	353	x	385	x 16
Left Side	353	x	569	x 16
Right Side	353	x	569	x 16
Optional Cross Brace	353	x	569	x 16

PORT DIAMETER	40 mm
PORT LENGTH	17 mm

# TECHNICAL SPECIFICATIONS

## Specifications & Parameters

### Specifications

Nominal Diameter	255 mm
Nominal Impedance	8.0 $\Omega$
Nominal Power Handling (AES)	150 W
Program Power (AES)	300 W
Sensitivity (1W/1m)	91 dB
Frequency Range	47-4.4K Hz
Magnet Material	Ferrite
Voice Coil Diameter	44.45 mm
Winding Material	COPPER
Former Material	KAPTON
Winding Type	Outside

### Mounting Info

Overall Diameter	255 mm
Baffle Cutout Diameter	228 mm
Depth	140 mm
Flange and Gasket Thickness	12 mm
Gross Weight	

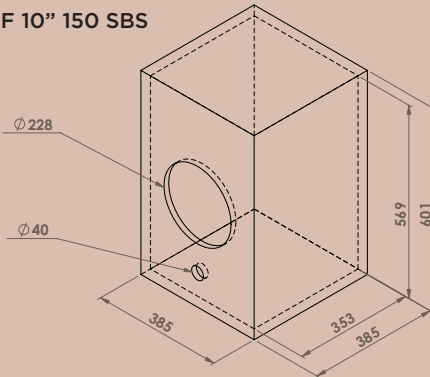
### Parameters

Resonant Frequency	Fs	47 Hz
DC Resistance	Re	5.8 $\Omega$
Electrical Q	Qes	0.72
Mechanical Q	Qms	5.54
Total Q	Qts	0.63
Compliance Equivalent Volume	Vas	52.38 Ltrs
Peak Diaphragm Displacement Volume	Vd	0.34 Ltrs
Effective Surface Area of Cone	Sd	373 cm <sup>2</sup>
Reference Efficiency	$\eta_0$	0.73%
Moving Mass including air load	Mms	42.58 gms
Motor Strength	Bl	10.09 T-m
Voice Coil Inductance @ 1 KHz	Le	1.05 mH
Efficiency Bandwith Product	EBP	65 Hz
Voice Coil Overhang	Xmax	$\pm 9.25$ mm

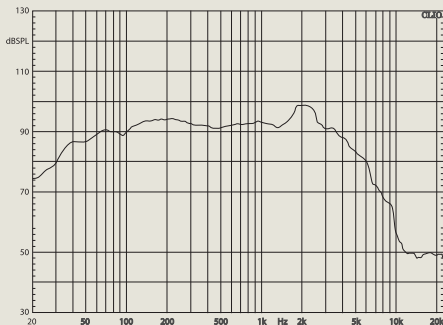
### Recone Kit

Recone Kit Number	REC10INCH150W
-------------------	---------------

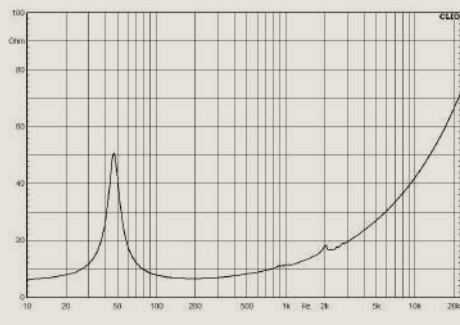
### ENCLOSURE OF 10" 150 SBS



### FREQUENCY RESPONSE CURVE



### IMPEDANCE CURVE



think<sup>®</sup>  
**DESI**  
think  
**SWETON**

**SWETON<sup>®</sup>**  
S P E A K E R S  
Since 1982





**TWEETER**

# TWEETER 3" - 40 WT PMPO

80 mm  
Overall Dia

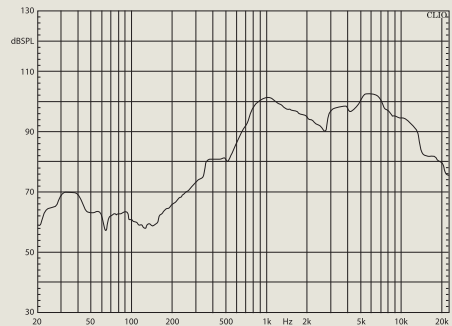
37.5 mm  
Depth

4 mm  
Flange and Gasket  
Thickness

70 mm  
Baffle Cut Out  
Diameter



FREQUENCY RESPONSE CURVE



# TWEETER SDLX 3" - 40 WT PMPO

80 mm  
Overall Dia

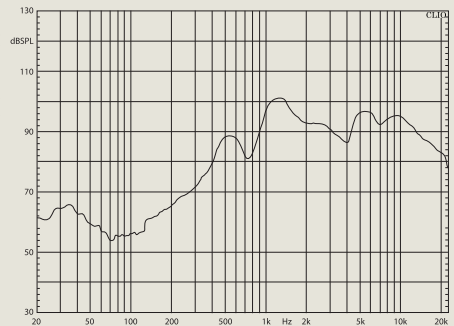
40.75 mm  
Depth

4 mm  
Flange and Gasket  
Thickness

70 mm  
Baffle Cut Out  
Diameter



FREQUENCY RESPONSE CURVE



# TWEETER 4" - 60 WT PMPO

103.5 mm  
Overall Dia

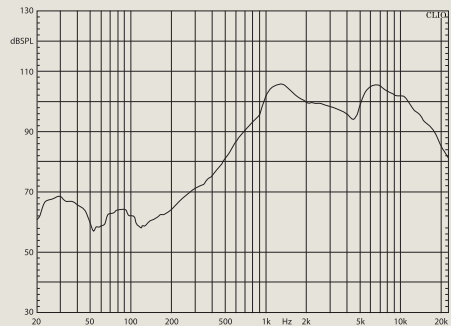
51 mm  
Depth

4 mm  
Flange and Gasket  
Thickness

93 mm  
Baffle Cut Out  
Diameter



FREQUENCY RESPONSE CURVE



# TWEETER SDLX 4" - 60 WT PMPO

103.5 mm  
Overall Dia

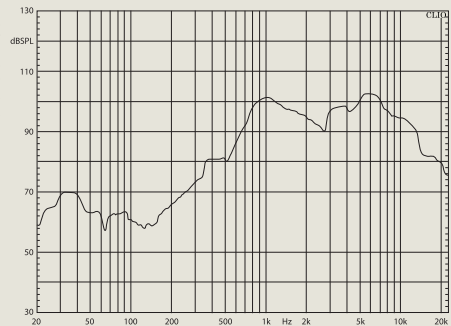
54 mm  
Depth

7.65 mm  
Flange and Gasket  
Thickness

93 mm  
Baffle Cut Out  
Diameter



FREQUENCY RESPONSE CURVE



# TWEETER 4" - 100 WT PMPO

103.5 mm  
Overall Dia

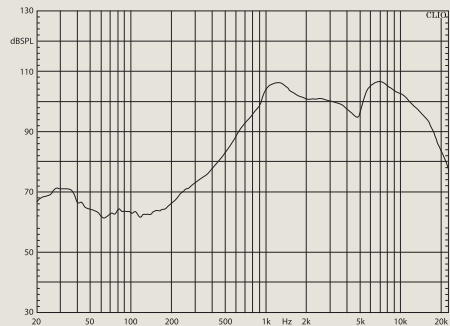
64.5 mm  
Depth

4.25 mm  
Flange and Gasket  
Thickness

94 mm  
Baffle Cut Out  
Diameter



FREQUENCY RESPONSE CURVE



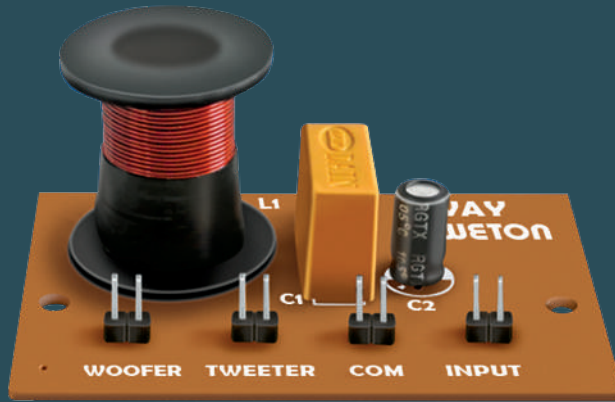
think<sup>®</sup>  
**DESI**  
think  
**SWETON**

**SWETON**<sup>®</sup>  
S P E A K E R S  
Since 1982

## DIVIDING CROSSOVER NETWORK



# 2 WAY CROSS-OVER NETWORK 6 dB 60 WT



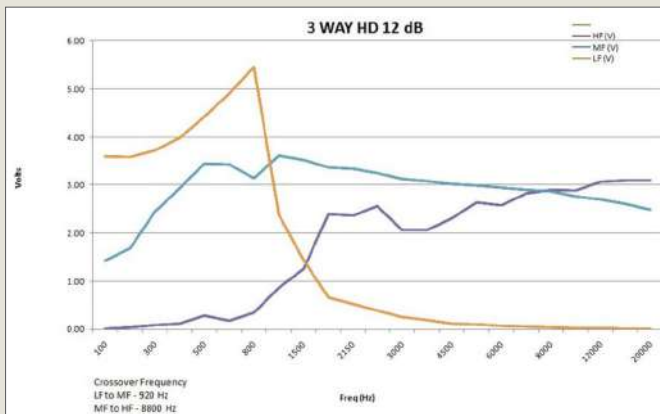
# 3 WAY CROSS OVER NETWORK 6 dB 60 WT



# 2 WAY HD CROSS-OVER NETWORK 12 dB 100 WT



# 3 WAY HD CROSS-OVER NETWORK 12 dB 100 WT



## TEST STANDARDS

- Nominal Power Handling is measured according to the AES2-1984 standard.
- Power on Continuous Program is defined as 3 dB greater than the Nominal Rating.
- Applied RMS Voltage is set to 2.83 V for 8 ohms Nominal Impedance
- Thiele-Small (T/S) parameters are measured after a high level 25 Hz sine wave preconditioning test for 4-8 hours.
- Linear X-max is measured by Mechanical excursion.
- Frequency Response and Impedance Curve are measured using MLS and Sinusoidal feature in auto scaling function of CLIO 12.5 Standard version.

**SWETON®**

S P E A K E R S

---

Since 1982

## LEGAL DECLARATION AND DISCLAIMERS

- Sweton is the registered trade mark of PROLINE INC in India and abroad.
- Design and Specifications are subject to change without notice owing to continuous product upgradation.
- Technical Specifications are subject to product tolerances.
- All rights reserved.
- Any reproduction of images or design is prohibited.
- Unintentional printing error, if any, is regretted.

**SWETON<sup>®</sup>**  
S P E A K E R S

Since 1982

For latest development and product information  
please visit our website

[www.swetonspeakers.com](http://www.swetonspeakers.com)



ISO 9001:2015



**SWETON**<sup>®</sup>  
KOLKATA

---

**OCTUNE ELECTRONICS LLP**  
LICENSE USER, KOLKATA

 [www.swetonspeakers.com](http://www.swetonspeakers.com)

 Swetonspeakers